

F2-08DA-1

8-Channel Analog Current Output

10

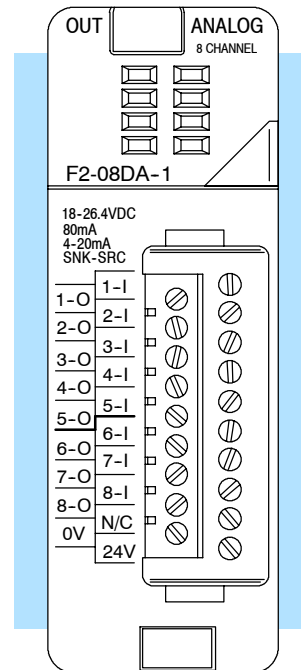
In This Chapter. . . .

- Module Specifications
 - Setting the Module Jumper
 - Connecting the Field Wiring
 - Module Operation
 - Writing the Control Program
-

Module Specifications

The F2-08DA-1 Analog Input module provides several hardware features:

- Supports DL230, DL240, DL250-1 and DL260 CPUs (see firmware requirements below).
- Analog outputs are optically isolated from the PLC logic.
- The module has a removable terminal block, so the module can be easily removed or changed without disconnecting the wiring.
- Can update all channels in one scan (DL240, DL250-1 and DL260 only).
- Outputs are both current sinking and sourcing.



F2-08DA-1

Firmware Requirements:

To use this module, DL230 CPUs must have firmware version 2.7 or later. To use the pointer method of writing values, DL240 CPUs require firmware version 3.0 or later and DL250 CPUs require firmware version 1.33 or later.

The following tables provide the specifications for the F2-08DA-1 Analog Output Module. Review these specifications to make sure the module meets your application requirements.

Output Specifications

| | |
|--|--|
| Number of Channels | 8, single-ended |
| Output Range | 4-20mA |
| Resolution | 12 bit (1 in 4096) |
| Output Type | Current sinking and current sourcing |
| Maximum Loop Voltage | 30VDC |
| Source Load | 0Ω - 400Ω (for loop power 18 - 30V) |
| Sink Load | 0 - 600Ω/18V, 0-900Ω/24V, 0-1200Ω/30V |
| Total Load (sink plus source) | 600Ω/18V, 900Ω/24V, 1200Ω/30V |
| Linearity Error (end to end) | ± 2 count (± 0.050% of full scale) maximum |
| Conversion Settling Time | 400μs maximum (full scale change) |
| Full-Scale Calibration Error | ± 12 counts max. sinking (any load) ± 12 counts max. sourcing (125Ω load) ± 18 counts max. sourcing (250Ω load) ± 26 counts max. sourcing (400Ω load) |
| Offset Calibration Error | ± 9 counts max. sinking (any load) ± 9 counts max. sourcing (125Ω load) ± 11 counts max. sourcing (250Ω load) ± 13 counts max. sourcing (400Ω load) |
| Max. Full Scale Inaccuracy @ 60°C | 0.5% sinking (any load) & sourcing (125Ω load) 0.64% sourcing (250Ω load) 0.83% sourcing (400Ω load) |
| Max. Full Scale Inaccuracy @ 25°C (includes all errors & temperature drift) | 0.3% sinking (any load) & sourcing (125Ω load) 0.44% sourcing (250Ω load) 0.63% sourcing (400Ω load) |

General Specifications

| | |
|--|---|
| PLC Update Rate | 8 channels per scan maximum |
| Digital Outputs / Output Points Required | 12 binary data bits, 3 ch. ID bits, 1 output enable bit / 16 (Y) output points required |
| Power Budget Requirement | 30mA @ 5VDC (supplied by base) |
| External Power Supply | 18-30VDC, 50mA plus 20mA/output loop, class 2 |
| Operating Temperature | 0 to 60° C (32 to 140° F) |
| Storage Temperature | -20 to 70° C (-4 to 158° F) |
| Relative Humidity | 5 to 95% (non-condensing) |
| Environmental Air | No corrosive gases permitted |
| Vibration | MIL STD 810C 514.2 |
| Shock | MIL STD 810C 516.2 |
| Noise Immunity | NEMA ICS3-304 |

One count in the specification table is equal to one least significant bit of the analog data value (1 in 4096).

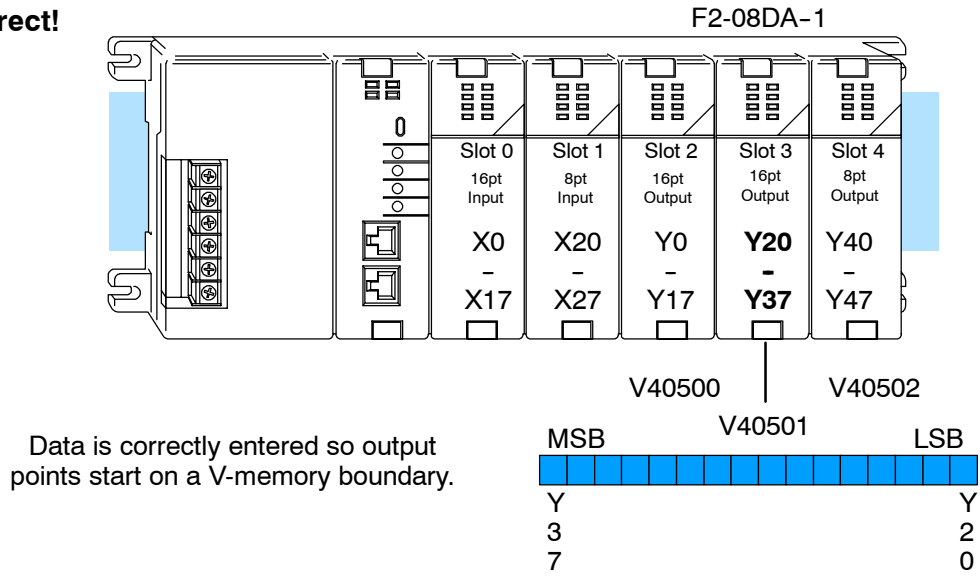
Analog Output Configuration Requirements

The F2-08DA-1 analog output requires 16 discrete output points. The module can be installed in any slot of a DL205 system, but the available power budget and discrete I/O points can be limiting factors. Check the user manual for your particular model of CPU and I/O base for more information regarding power budget and number of local, local expansion or remote I/O points.

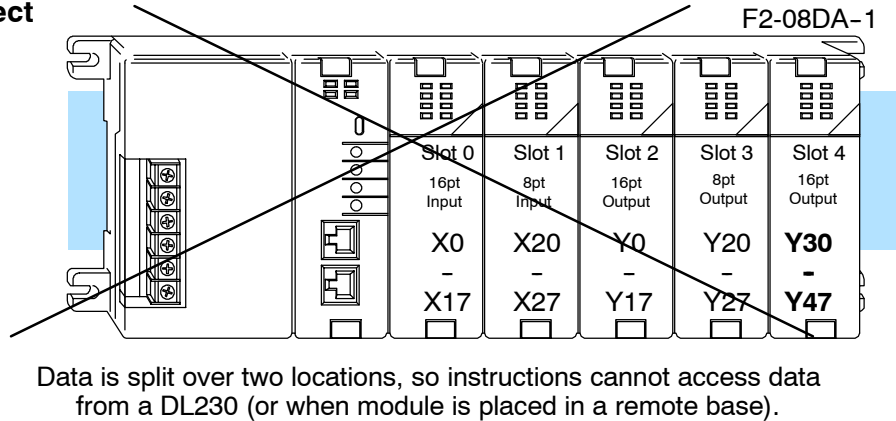
Special Placement Requirements (DL230 and Remote I/O Bases)

Even though the module can be placed in any slot, it is important to examine the configuration. As you can see in the section on writing the program, you use V-memory locations to extract the analog data. If you place the module so the output points do not start on a V-memory boundary, the instructions cannot access the data. This also applies when module is placed in remote base (D2-RSSS in CPU slot).

Correct!



Incorrect



To use the V-memory references required for the multiplexing method, the *first* output address assigned to the module must be one of the following Y locations. The table also shows the V-memory addresses that correspond to these Y locations.

| | | | | | | | | |
|---|--------|--------|--------|--------|--------|--------|--------|--------|
| Y | Y0 | Y20 | Y40 | Y60 | Y100 | Y120 | Y140 | Y160 |
| V | V40500 | V40501 | V40502 | V40503 | V40504 | V40505 | V40506 | V40507 |

Connecting the Field Wiring

Wiring Guidelines

Your company may have guidelines for wiring and cable installation. If so, you should check those before you begin the installation. Here are some general things to consider:

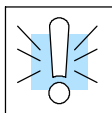
- Use the shortest wiring route whenever possible.
- Use shielded wiring and ground the shield at the signal source. *Do not* ground the shield at both the module and the load.
- Do not run the signal wiring next to large motors, high current switches, or transformers. This may cause noise problems.
- Route the wiring through an approved cable housing to minimize the risk of accidental damage. Check local and national codes to choose the correct method for your application.

User Power Supply Requirements

The F2-08DA-1 requires a separate field-side power supply. Each module requires 18–30VDC at up to 50mA current. The current loops also require 18–30VDC, but at 20mA each.

The DL205 bases have built-in 24 VDC power supplies that provide up to 300mA of current. If you are using only a couple of analog modules, you can use this power source instead of a separate supply. The current required is 50mA plus 160mA (eight loops) for a total of 210mA.

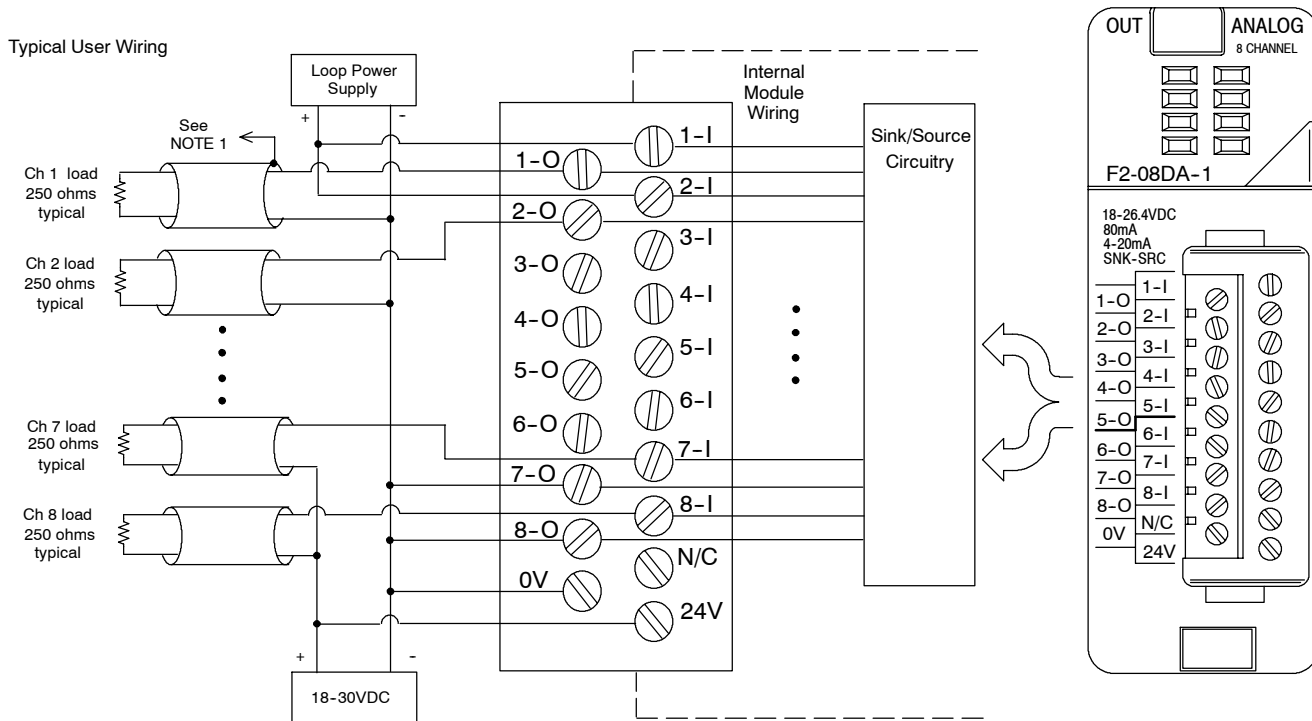
It is desirable in some situations to power the loops separately in a location remote from the PLC. This will work as long as the loop supply meets the voltage and current requirements, and the transmitter's minus (-) side and the module supply's minus (-) side are connected together.



WARNING: If you are using 24VDC output power from the base, make sure you calculate the power budget. Exceeding the power budget can cause unpredictable system operation that can lead to a risk of personal injury or damage to equipment.

Wiring Diagram

The F2-08DA-1 module has a removable connector to make wiring easier. Squeeze the latches on both ends of the connector and gently pull it from the module. Use the following diagram to connect the field wiring. Channels 1 and 2 are shown wired for sourcing, and channels 7 and 8 are shown wired for sinking. The diagram also shows how to wire an optional loop power supply.



Load Range

The maximum load resistance depends on the particular loop power supply in use.

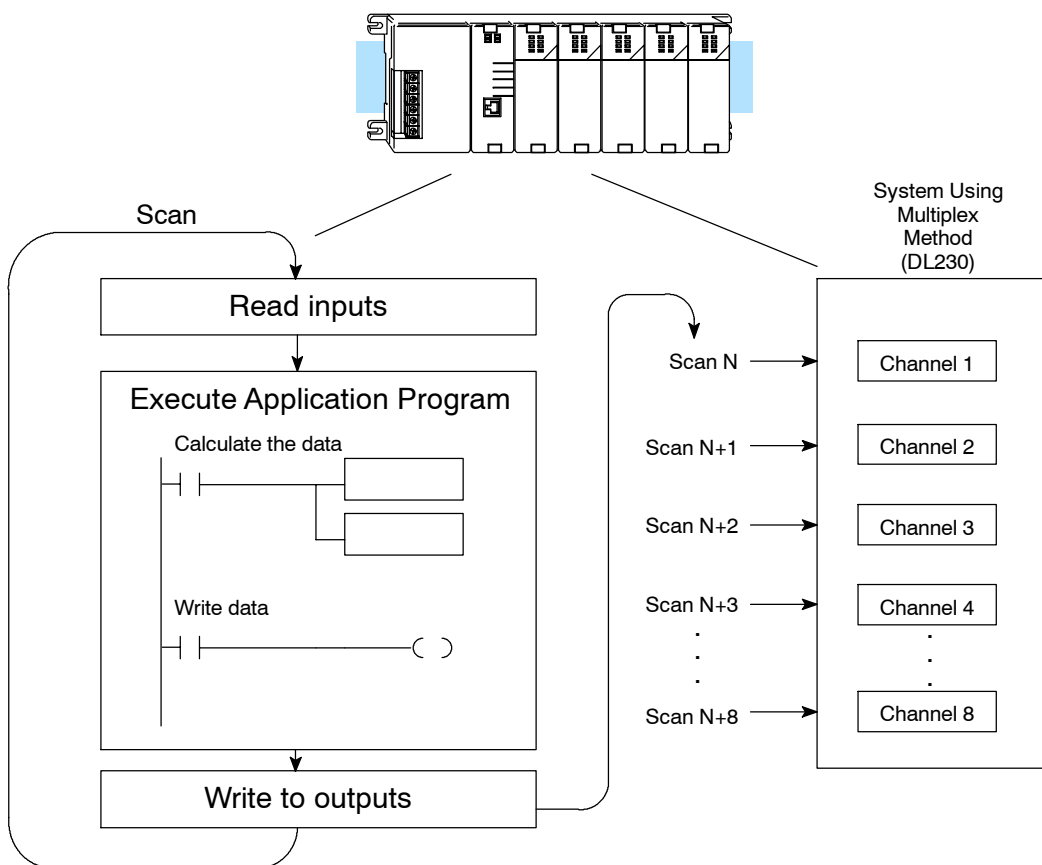
| Loop Power Supply Voltage | Source Load Range | Sink Load Range |
|---------------------------|-------------------|-----------------|
| 30 VDC | 0 to 400Ω | 0 to 1200Ω |
| 24 VDC | | 0 to 900Ω |
| 18 VDC | | 0 to 600Ω |

Module Operation

Channel Update Sequence for a DL230 CPU (Multiplexing)

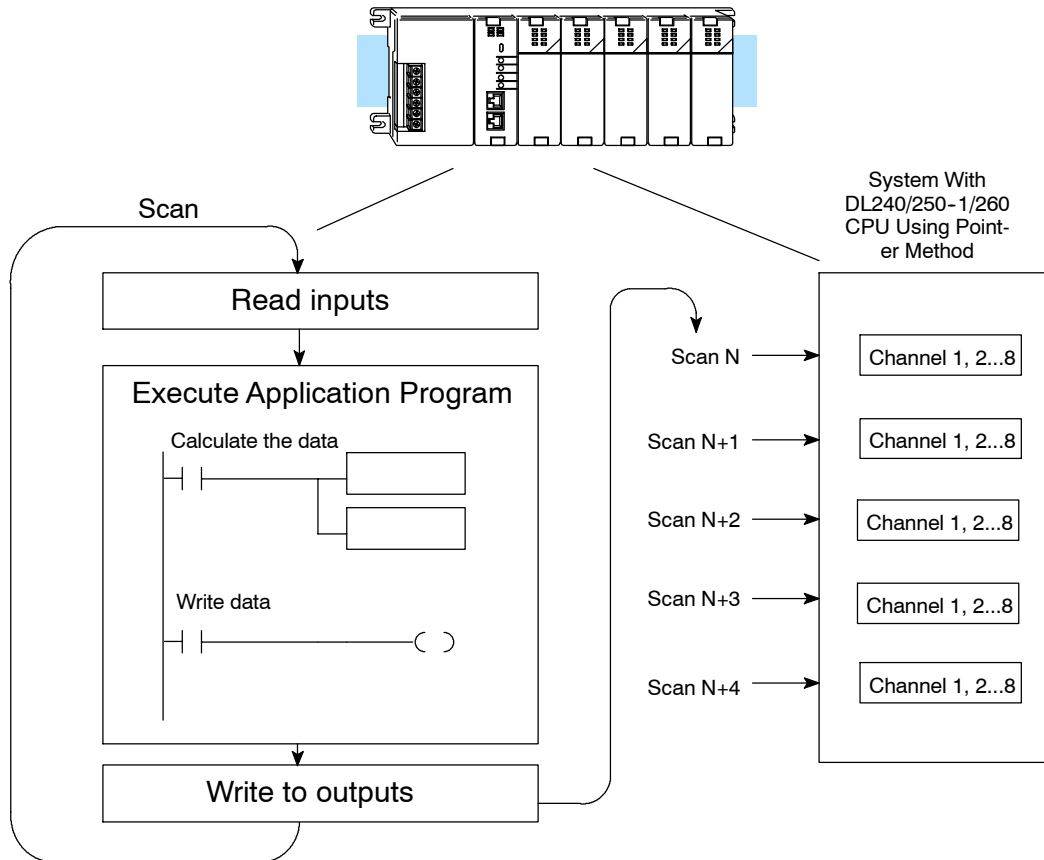
Before you begin writing the control program, it is important to take a few minutes to understand how the module processes and represents the analog signals.

If you are using multiplexing ladder, you can send one channel of data to the output module on each scan. The module refreshes both field devices on each scan, but you can only get new data from the CPU at the rate of one channel per scan. Since there are eight channels, it can take eight scans to update all channels. However, if you are only using one channel, you can update that channel on every scan. The multiplexing method can also be used for the DL240/250-1/260 CPUs.



Channel Update Sequence with a DL240, DL250-1 or DL260 CPU (Pointer)

If you are using pointers (Pointer Method), you can update all channels on every scan. This is because the DL240/250-1/260 CPU supports special V-memory locations that are used to manage the data transfer. This is discussed in more detail in the section on Writing the Control Program.

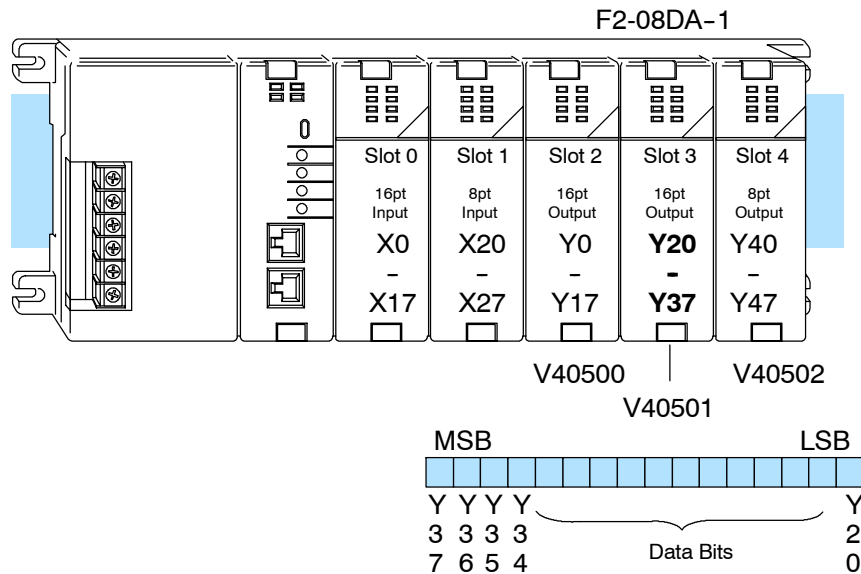


Understanding the Output Assignments

You may recall the F2-08DA-1 module requires 16 discrete output points in the CPU. These points provide the data value and an indication of which channel to update. Note, if you are using a DL240/250-1/260 CPU, you may never have to use these bits, but it may help you understand the data format.

Since all output points are automatically mapped into V-memory, it is very easy to determine the location of the data word that will be assigned to the module.

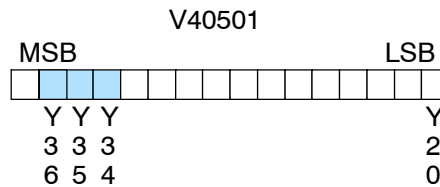
F2-08DA-1 8-Channel Analog Current Output



Within this word location, the individual bits represent specific information about the analog signal.

Channel Select Outputs

Three of the outputs select the active channel. Remember, the V-memory bits are mapped directly to discrete outputs. The binary weight of these three bits determines the selected channel. By controlling these outputs, you can select which channel gets updated.

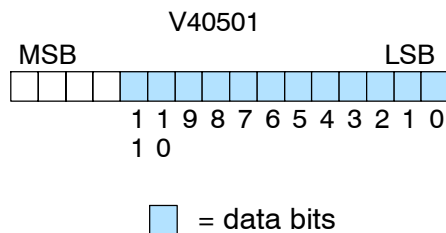


= channel select outputs

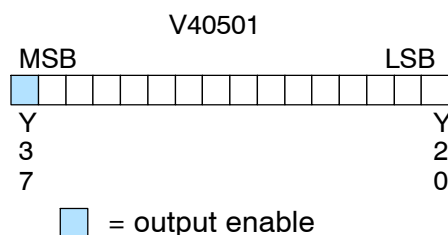
| Y36 | Y35 | Y34 | Channel Number Selected |
|-----|-----|-----|-------------------------|
| | | | 1 |
| | | X | 2 |
| | X | | 3 |
| | X | X | 4 |
| X | | | 5 |
| X | | X | 6 |
| X | X | | 7 |
| X | X | X | 8 |

Analog Data Bits The first twelve bits represent the analog data in binary format.

| Bit | Value | Bit | Value |
|-----|-------|-----|-------|
| 0 | 1 | 6 | 64 |
| 1 | 2 | 7 | 128 |
| 2 | 4 | 8 | 256 |
| 3 | 8 | 9 | 512 |
| 4 | 16 | 10 | 1024 |
| 5 | 32 | 11 | 2048 |

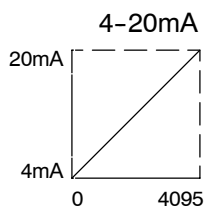


Output Enable The last output can be used to update outputs. If this output is off the outputs are cleared.



Module Resolution Since the module has 12-bit resolution, the analog signal is converted from 4096 counts ranging from 0–4095 (2^{12}). For example, send a 0 to get a 4mA signal, and send 4095 to get a 20mA signal. This is equivalent to a binary value of 0000 0000 0000 to 1111 1111 1111, or 000 to FFF hexadecimal.

Each count can also be expressed in terms of the signal level by using the following equation:



$$\text{Resolution} = \frac{H - L}{4095}$$

H = high limit of the signal range

L = low limit of the signal range

Writing the Control Program

Calculating the Digital Value

Your program has to calculate the digital value to send to the analog module. There are many ways to do this, but most applications are understood more easily if you use measurements in engineering units. This is accomplished by using the conversion formula shown.

You may have to make adjustments to the formula depending on the scale you choose for the engineering units.

$$A = U \frac{4095}{H - L} \quad \text{for 0-4095 output format}$$

A = Analog value (0 - 4095)

U = Engineering units

H = High limit of the engineering unit range

L = Low limit of the engineering unit range

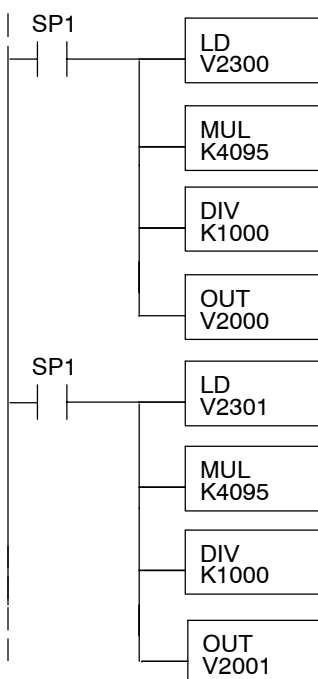
Consider the following example which controls pressure from 0.0 to 99.9 PSI. By using the formula you can easily determine the digital value that should be sent to the module. The example shows the conversion required to yield 49.4 PSI. Notice the formula uses a multiplier of 10. This is because the decimal portion of 49.4 cannot be loaded, so you must adjust the formula to compensate for it.

$$A = 10U \frac{4095}{10(H - L)}$$

$$A = 494 \frac{4095}{1000 - 0}$$

$$A = 2023$$

The following example program shows how you would write the program to perform the engineering unit conversion to output data formats 0-4095. This example assumes you have calculated or loaded the engineering unit values in BCD format and stored them in V2300 and V2301 for channels 1 and 2 respectively. The DL205 offers instructions that allow you to perform math operations using BCD format. It is usually easier to perform any math calculations in BCD and then convert the value to binary before you send the data to the module.



The LD instruction loads the engineering units used with channel 1 into the accumulator. This example assumes the numbers are BCD. Since SP1 is used, this rung automatically executes on every scan. You could also use an X, C, etc. permissive contact.

Multiply the accumulator by 4095 (to start the conversion).

Divide the accumulator by 1000 (because we used a multiplier of 10, we have to use 1000 instead of 100).

Store the BCD result in V2000 (the actual steps required to send the data are shown later).

The LD instruction loads the engineering units used with channel 2 into the accumulator. This example assumes the numbers are BCD. Since SP1 is used, this rung automatically executes on every scan. You could also use an X, C, etc. permissive contact.

Multiply the accumulator by 4095 (to start the conversion).

Divide the accumulator by 1000 (because we used a multiplier of 10, we have to use 1000 instead of 100).

Store the BCD result in V2001 (the actual steps required to send the data are shown later).

Writing Values: Pointer Method and Multiplexing

There are two methods of reading values:

- The pointer method
- Multiplexing method

You can use either method when using DL240, DL250-1 and DL260 CPUs, but for ease of programming it is strongly recommended that you use the pointer method. You must use the multiplexing method when using DL230 CPUs and with remote I/O modules (the pointer method will not work).

Once you have calculated the data values (shown previously) you must enter the program that actually updates the module. The DL240/250-1/260 has special V-memory locations assigned to each base slot that greatly simplify the programming requirements. By using these V-memory locations you can:

- specify the number of channels to update.
- specify where to obtain the output data .

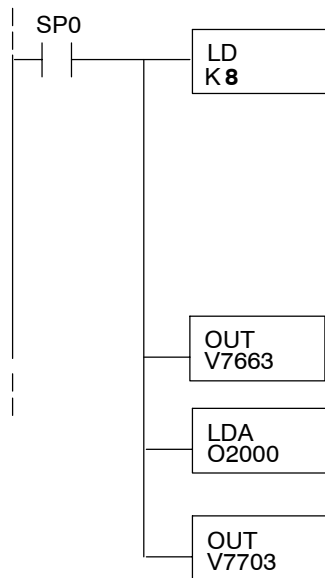
Pointer Method Example

| | | | |
|-----|-----|-------|-----|
| ✗ | ✓ | ✓ | ✓ |
| 230 | 240 | 250-1 | 260 |



NOTE: DL240 CPUs with firmware release version 3.0 or later and DL250 CPUs with firmware release 1.33 are required to support this method.

The following program example shows how to setup these locations. Place this rung anywhere in the ladder program, or in the initial stage if you are using stage programming. You may recall in the previous example we used V2000 through V2007 to store the calculated values. Also, in the previous examples we had the analog module installed in slot 3. You should use the appropriate memory locations for your application. The pointer method automatically converts values to binary.



- or - LD
K88

Loads a constant that specifies the number of channels to scan and the data format. The lower byte, most significant nibble (MSN) selects the data format (0=BCD, 8=Binary), the LSN selects the number of channels (1-8).

The binary format is used for displaying data on some operator interfaces. The DL230/240 CPUs do not support binary math functions, whereas the DL250-1/DL260 does.

Special V-memory location assigned to slot 3 that contains the number of channels to scan.

This loads an octal value for the first V-memory location that will be used to store the output data. For example, the O2000 entered here would designate the following addresses:
Ch1 - V2000, Ch 2 - V2001.....Ch8 - V2007

The octal address (O2000) is stored here. V7703 is assigned to slot 3 and acts as a pointer, which means the CPU will use the octal value in this location to determine exactly where to store the output data.

The tables below show the special V-memory locations used by the DL240, DL250-1 and DL260 for the CPU base and local expansion base I/O slots. Slot 0 (zero) is the module next to the CPU or D2-CM module. Slot 1 is the module two places from the CPU or D2-CM, and so on. Remember, the CPU only examines the pointer values at these locations after a mode transition. Also, if you use the DL230 (multiplexing) method, verify that these addresses in the CPU are zero.

The Table below applies to the DL240, DL250-1 and DL260 CPU base.

| CPU Base: Analog Output Module Slot-Dependent V-memory Locations | | | | | | | | |
|--|-------|-------|-------|-------|-------|-------|-------|-------|
| Slot | 0 | 1 | 2 | 3 | 4 | 5 | 6 | 7 |
| No. of Channels | V7660 | V7661 | V7662 | V7663 | V7664 | V7665 | V7666 | V7667 |
| Storage Pointer | V7700 | V7701 | V7702 | V7703 | V7704 | V7705 | V7706 | V7707 |

The Table below applies to the DL250-1 or DL260 expansion base 1.

| Expansion Base D2-CM #1: Analog Output Module Slot-Dependent V-memory Locations | | | | | | | | |
|---|--------|--------|--------|--------|--------|--------|--------|--------|
| Slot | 0 | 1 | 2 | 3 | 4 | 5 | 6 | 7 |
| No. of Channels | V36000 | V36001 | V36002 | V36003 | V36004 | V36005 | V36006 | V36007 |
| Storage Pointer | V36020 | V36021 | V36022 | V36023 | V36024 | V36025 | V36026 | V36027 |

The Table below applies to the DL250-1 or DL260 expansion base 2.

| Expansion Base D2-CM #2: Analog Output Module Slot-Dependent V-memory Locations | | | | | | | | |
|---|--------|--------|--------|--------|--------|--------|--------|--------|
| Slot | 0 | 1 | 2 | 3 | 4 | 5 | 6 | 7 |
| No. of Channels | V36100 | V36101 | V36102 | V36103 | V36104 | V36105 | V36106 | V36107 |
| Storage Pointer | V36120 | V36121 | V36122 | V36123 | V36124 | V36125 | V36126 | V36127 |

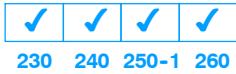
The Table below applies to the DL260 CPU expansion base 3.

| Expansion Base D2-CM #3: Analog Output Module Slot-Dependent V-memory Locations | | | | | | | | |
|---|--------|--------|--------|--------|--------|--------|--------|--------|
| Slot | 0 | 1 | 2 | 3 | 4 | 5 | 6 | 7 |
| No. of Channels | V36200 | V36201 | V36202 | V36203 | V36204 | V36205 | V36206 | V36207 |
| Storage Pointer | V36220 | V36221 | V36222 | V36223 | V36224 | V36225 | V36226 | V36227 |

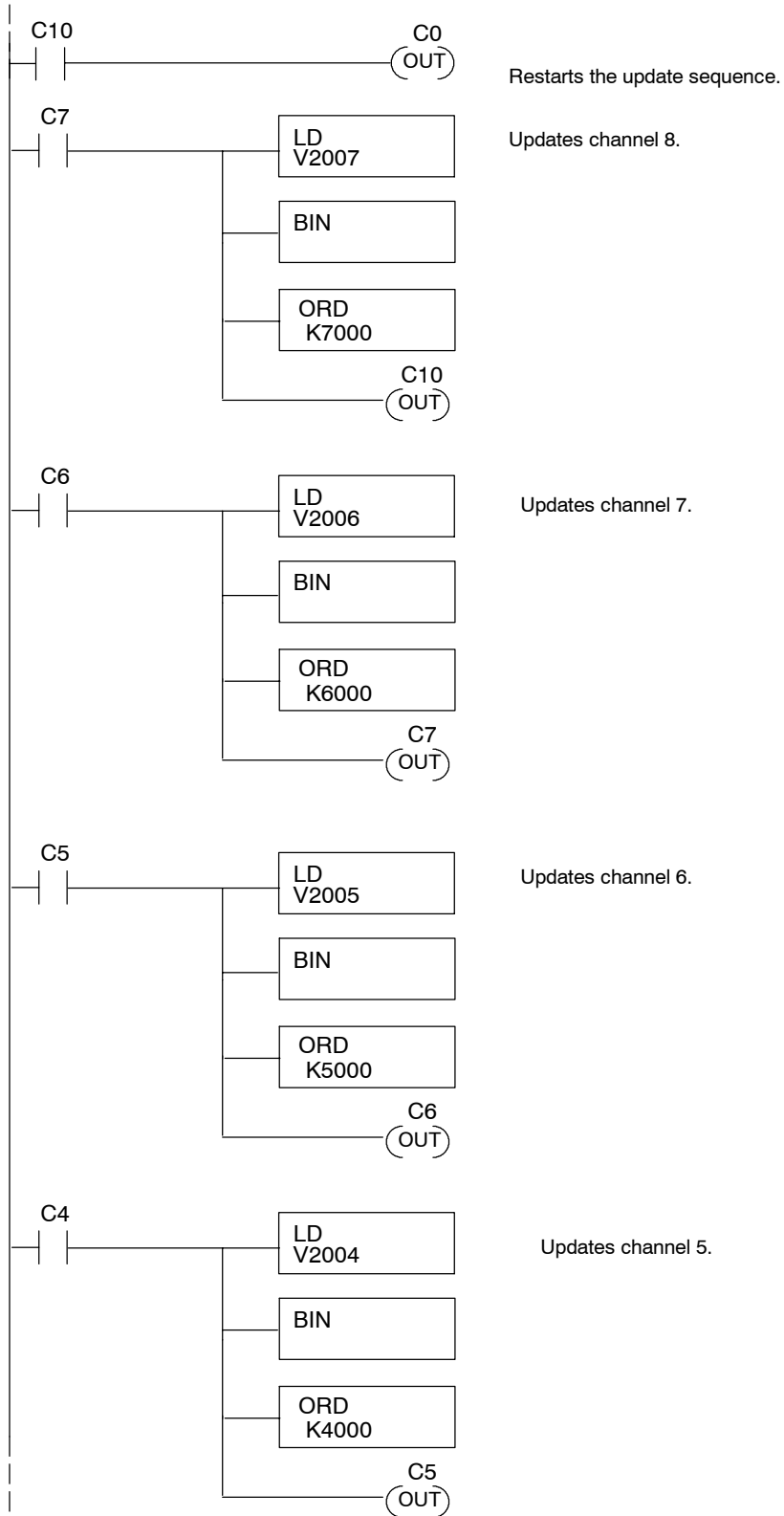
The Table below applies to the DL260 CPU expansion base 4.

| Expansion Base D2-CM #4: Analog Output Module Slot-Dependent V-memory Locations | | | | | | | | |
|---|--------|--------|--------|--------|--------|--------|--------|--------|
| Slot | 0 | 1 | 2 | 3 | 4 | 5 | 6 | 7 |
| No. of Channels | V36300 | V36301 | V36302 | V36303 | V36304 | V36305 | V36306 | V36307 |
| Storage Pointer | V36320 | V36321 | V36322 | V36323 | V36324 | V36325 | V36326 | V36327 |

Writing Data (Multiplexing)

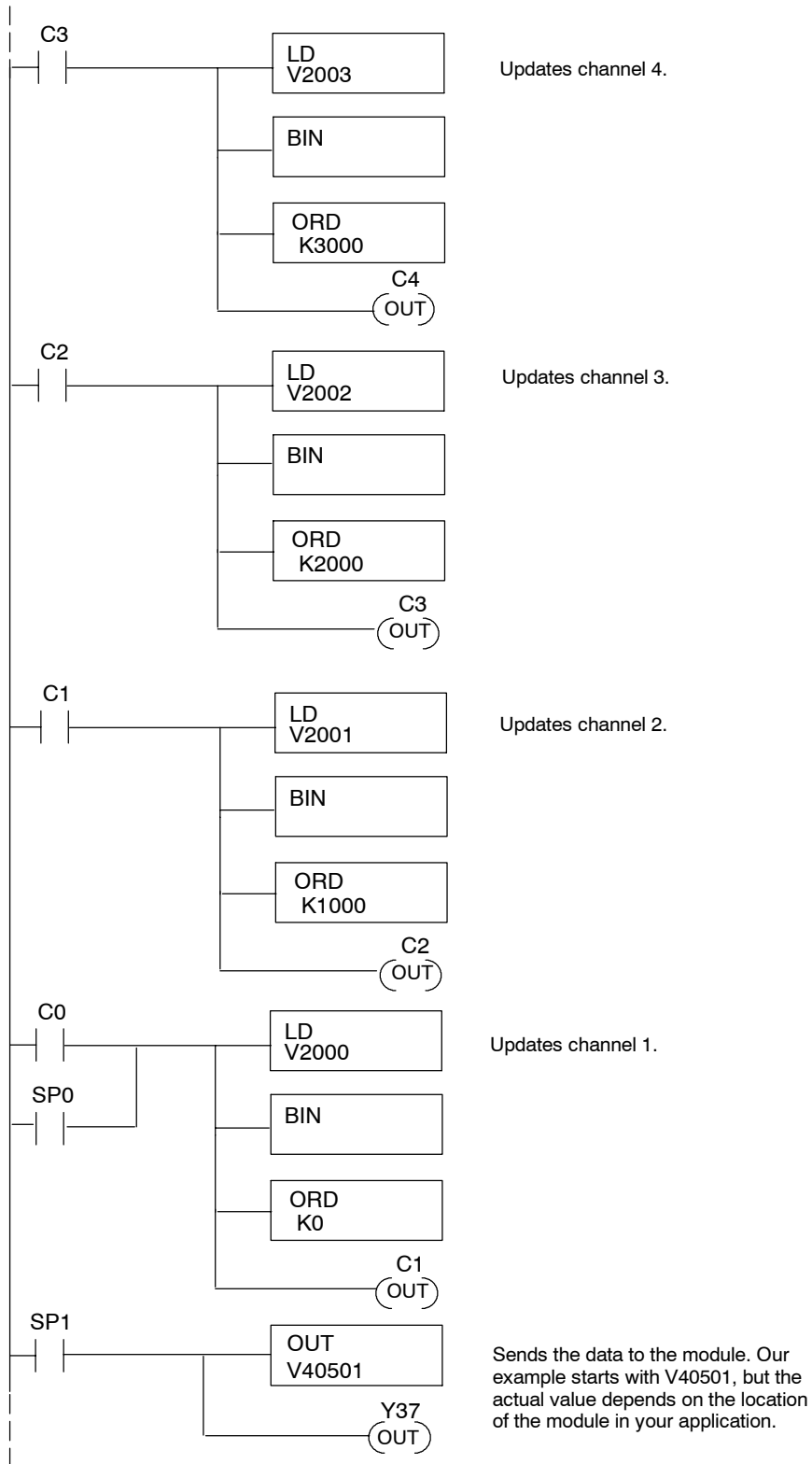


The following example shows how to write data using the multiplexing method.



Continued

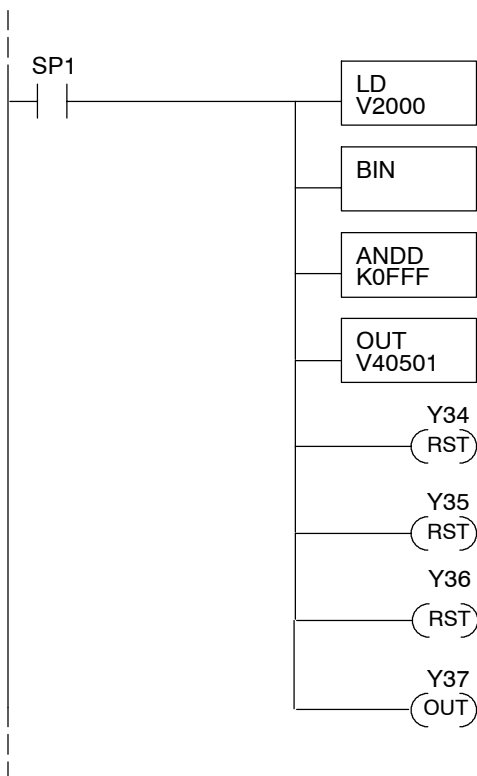
Writing Data
(Multiplexing
Example)
Continued



F2-08DA-1
8-Ch. Current Output

Sending Data to One Channel

If you are using more than one channel, or if you want to control the updates separately, use the following program.



The LD instruction loads the data into the accumulator. Since SP1 is used, this rung automatically executes on every scan. You could also use an X, C, etc. permissive contact.

The BIN instruction converts the accumulator data to binary (you must omit this step if you have already converted the data elsewhere).

The ANDD instruction masks off the channel select bits to prevent an accidental channel selection.

The OUT instruction sends the data to the module. Our example starts with V40501, but the actual value depends on the location of the module in your application.

Y34, Y35, Y36-OFF selects channel 1 for updating.

Y37 is the output enable bit.

Analog and Digital Value Conversions

Sometimes it is useful to be able to quickly convert between the signal levels and the digital values. This is especially helpful during machine startup or troubleshooting. The following table provides formulas to make this conversion easier. Remember, if you embed the sign information into the data value, you must adjust the formulas accordingly.

| Range | If you know the digital value ... | If you know the signal level ... |
|-----------|-----------------------------------|----------------------------------|
| 4 to 20mA | $A = \frac{16D}{4095} + 4$ | $D = \frac{4095}{16} (A - 4)$ |

For example, if you know you need a 10mA signal to achieve the desired result, you can easily determine the digital value that should be used.

$$D = \frac{4095}{16} (A - 4)$$

$$D = \frac{4095}{16} (10\text{mA} - 4)$$

$$D = (255.93) (6)$$

$$D = 1536$$