

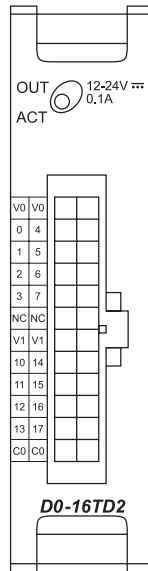
DL05/06 I/O Option Modules

D0-16TD2

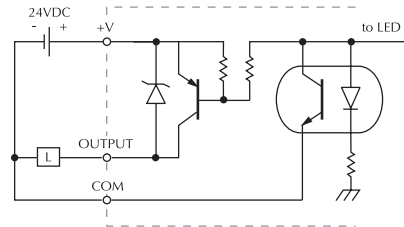


16-point DC output module

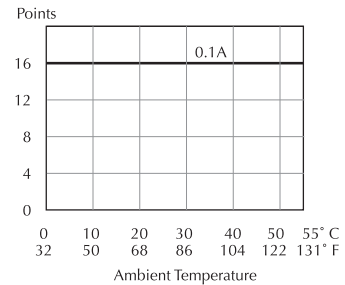
D0-16TD2 Output Specifications	
Number of Outputs	16 (sourcing)
Peak Voltage	50.0VDC
Maximum Output Current	0.1A/point, 0.8A/common
Minimum Output Current	0.5mA
Maximum Leakage Current	1.5µA @ 26.4VDC
On Voltage Drop	1.0VDC @ 0.1A
Maximum Inrush Current	1A for 10ms
Off to On Response	< 0.5ms
On to Off Response	< 0.5ms
Status Indicators	Module activity: one green LED
+V Terminals & Common	2 (8 points/+V Term.) Isolated, 1 Common
Fuse	No fuse
Base Power Required (5V)	Max. 200mA (all pts. on)



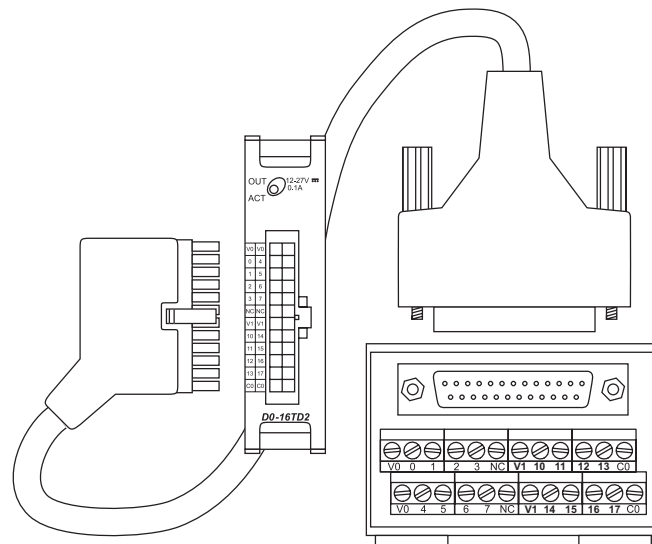
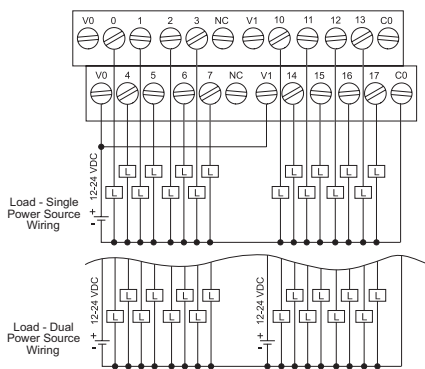
Equivalent output circuit



Derating chart



Wiring for ZL-CM056



Use ZipLink ZL-CBL056 cable and ZL-CM056 connector module, or ZL-CBL056FR cable and ZL-CM16RL24B relay module or ZL-CM16TF2 fuse module.

You can also build your own cables using 24-pin Molex Micro Fit 3.0 receptacle, part number 43025, or compatible.