

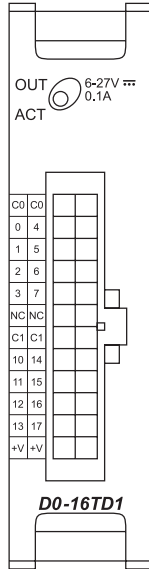
DL05/06 I/O Option Modules

D0-16TD1

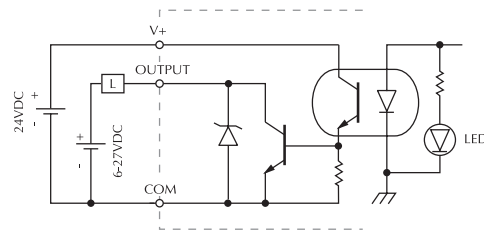


16-point DC output module

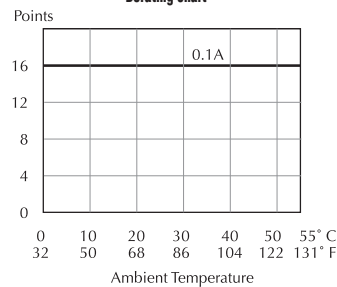
D0-16TD1 Output Specifications	
Number of Outputs	16 (sinking)
Operating Voltage Range	6-27VDC
Output Voltage Range	5-30VDC
Peak Voltage	50.0VDC
Maximum Output Current	0.1A/point, 0.8A/common
Minimum Output Current	0.5mA
Maximum Leakage Current	15µA @ 30.0VDC
On Voltage Drop	0.5VDC @ 0.1A
Maximum Inrush Current	1A for 10ms
Off to On Response	< 0.5ms
On to Off Response	< 0.5ms
Status Indicators	Module activity: one green LED
Commons	2 (8 points/common)
Fuse	No fuse
External DC Power Required	20-28VDC max 70mA (all pts. on)
Base Power Required (5V)	Max. 200mA (all pts. on)



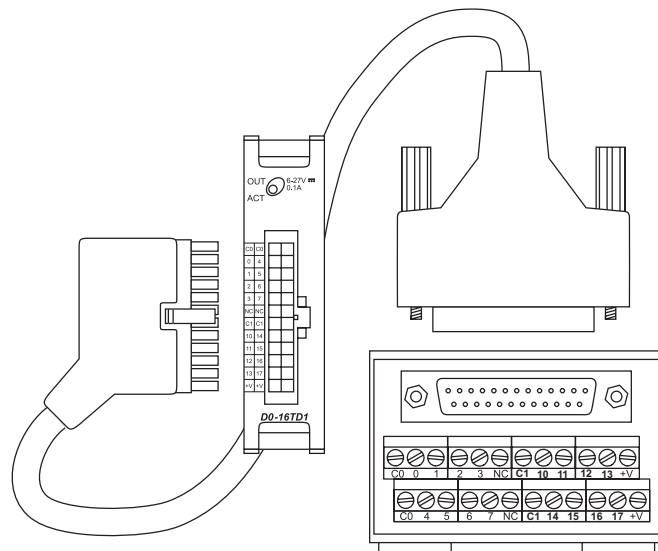
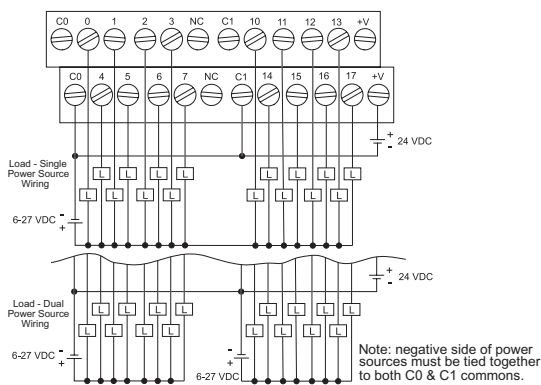
Equivalent output circuit



Derating chart



Wiring for ZL-CM056



Use ZipLink ZL-CBL056 cable and ZL-CM056 connector module, or ZL-CBL056FR cable and ZL-CM16RL24B relay module or ZL-CM16TF2 fuse module. You can also build your own cables using 24-pin Molex Micro Fit 3.0 receptacle, part number 43025, or compatible.

PLC Overview

DL05/06 PLC

DL105 PLC

DL205 PLC

DL305 PLC

DL405 PLC

Field I/O

Software

C-more HMIs

Other HMI

AC Drives

Motors

Steppers/Servos

Motor Controls

Proximity Sensors

Photo Sensors

Limit Switches

Encoders

Pushbuttons/Lights

Process

Relays/Timers

Comm.

TB's & Wiring

Power

Enclosures

Appendix

Part Index