

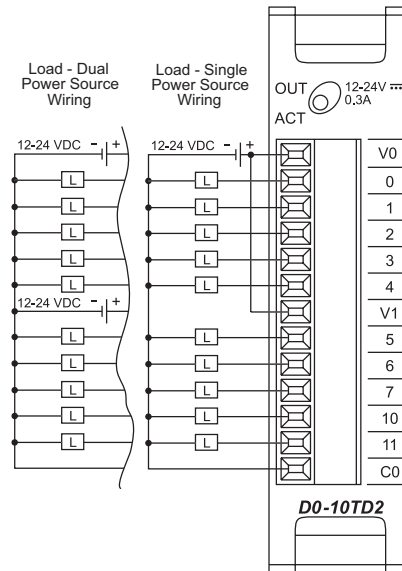
# DL05/06 I/O Option Modules

## D0-10TD2

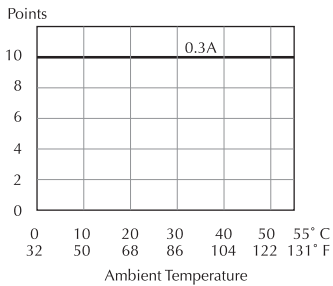


### 10-point DC output module

D0-10TD2 Output Specifications	
<b>Number of Outputs</b>	10 (sourcing)
<b>Peak Voltage</b>	50.0VDC
<b>Maximum Output Current</b>	0.3A/point, 1.5A/common
<b>Minimum Output Current</b>	0.5mA
<b>Maximum Leakage Current</b>	1.5 $\mu$ A @ 26.4VDC
<b>On Voltage Drop</b>	1.0VDC @ 0.3A
<b>Maximum Inrush Current</b>	1A for 10ms
<b>Off to On Response</b>	< 10 $\mu$ s
<b>On to Off Response</b>	< 60 $\mu$ s
<b>Status Indicators</b>	Module activity: one green LED
<b>+V Terminals &amp; Common</b>	2 (5 points/+V Term.) Isolated, 1 Common
<b>Fuse</b>	No fuse
<b>Base Power Required (5V)</b>	Max. 150mA (all pts. on)



Derating chart



Equivalent output circuit

