

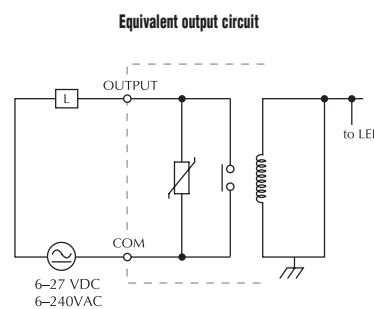
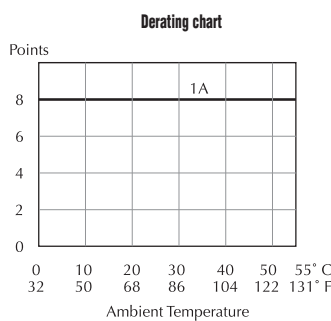
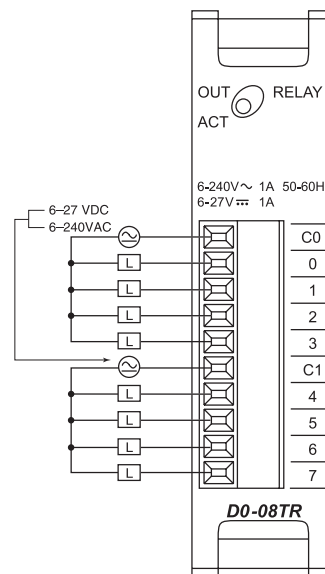
DL05/06 I/O Option Modules

D0-08TR



8-point relay output module

D0-07CDR Output Specifications	
Number of Outputs	8
Output Voltage Range	6-27VDC/6-240VAC
Output Type	Relay, form A (SPST)
Peak Voltage	30.0VDC/264VAC
Maximum Current (resist.)	1A/point, 4A/common
Minimum Load Current	5mA @ 5VDC
Maximum Leakage Current	0.1mA @ 264VAC
On Voltage Drop	N/A
Maximum Inrush Current	Output: 3A for 10ms Common: 10A for 10ms
Off to On Response	< 15ms
On to Off Response	< 10ms
Status Indicators	Module activity: one green LED
Commons	2 isolated (4 points/common)
Fuse	No fuse
Base Power Required (5V)	Max. 280mA (all pts. on)



Typical Relay Life (Operations) at Room Temperature	
Voltage and Type of Load	Load Current 1A
24 VDC Resistive	500K
24 VDC Solenoid	100K
110 VAC Resistive	500K
110 VAC Solenoid	200K
220 VAC Resistive	350K
220 VAC Solenoid	100K

PLC Overview

DL05/06 PLC

DL105 PLC

DL205 PLC

DL305 PLC

DL405 PLC

Field I/O

Software

C-more HMIs

Other HMI

AC Drives

Motors

Steppers/Servos

Motor Controls

Proximity Sensors

Photo Sensors

Limit Switches

Encoders

Pushbuttons/Lights

Process

Relays/Timers

Comm.

TB's & Wiring

Power

Enclosures

Appendix

Part Index