

# DL05/06 I/O Option Modules

PLC Overview

DL05/06 PLC

DL105 PLC

DL205 PLC

DL305 PLC

DL405 PLC

Field I/O

Software

C-more HMIs

Other HMI

AC Drives

Motors

Steppers/Servos

Motor Controls

Proximity Sensors

Photo Sensors

Limit Switches

Encoders

Pushbuttons/Lights

Process

Relays/Timers

Comm.

TB's & Wiring

Power

Enclosures

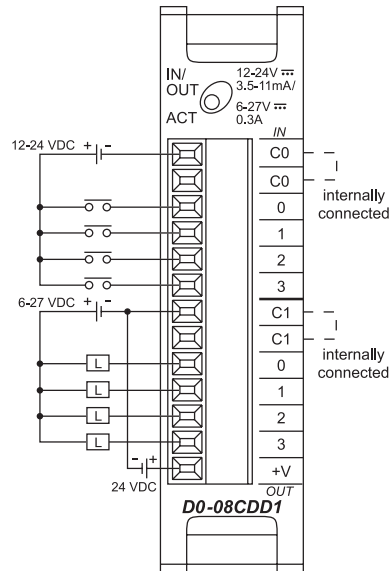
Appendix

Part Index

## D0-08CDD1 <--->

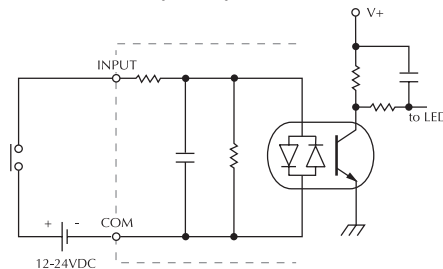
4-point DC input and  
4-point DC output module

D0-08CDD1 Input Specifications	
<b>Number of Inputs</b>	4 (sink/source)
<b>Input Voltage Range</b>	10.8-26.4VDC
<b>Peak Voltage</b>	30.0VDC
<b>Input Current</b>	Typical: 4.0mA @ 12VDC 8.5mA @ 24VDC
<b>Maximum Input Current</b>	11mA @ 26.4VDC
<b>Input Impedance</b>	2.8KΩ @ 12-24VDC
<b>On Voltage Level</b>	> 10.0 VDC
<b>Off Voltage Level</b>	< 2.0 VDC
<b>Minimum ON Current</b>	3.5mA
<b>Maximum OFF Current</b>	0.5mA
<b>Off to On Response</b>	2-8ms, Typ. 4ms
<b>On to Off Response</b>	2-8ms, Typ. 4ms
<b>Commons</b>	1(4 pts/common) non-isolated

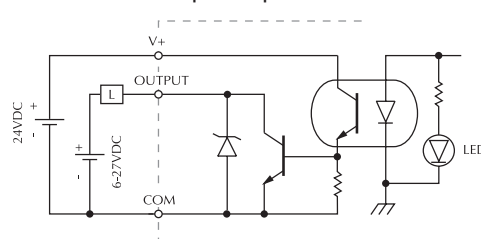


D0-08CDD1 Output Specifications	
<b>Number of Outputs</b>	4 (sinking)
<b>Operating Voltage Range</b>	6-27VDC
<b>Output Voltage Range</b>	5-30VDC
<b>Peak Voltage</b>	50.0VDC
<b>Maximum Output Current</b>	0.3A/point, 1.2A/common
<b>Minimum Output Current</b>	0.5mA
<b>Maximum Leakage Current</b>	1.5μA @ 30.0VDC
<b>On Voltage Drop</b>	0.5VDC @ 0.3A
<b>Maximum Inrush Current</b>	1A for 10ms
<b>Off to On Response</b>	< 10μs
<b>On to Off Response</b>	< 60μs
<b>Status Indicators</b>	Module activity: one green LED
<b>Commons</b>	1(4 pts/common) non-isolated
<b>Fuse</b>	No fuse
<b>Base Power Required (5V)</b>	Max. 200mA (all pts. on)
<b>External DC Power Required (24V)</b>	20-28VDC, max. 80mA (all pts. on)

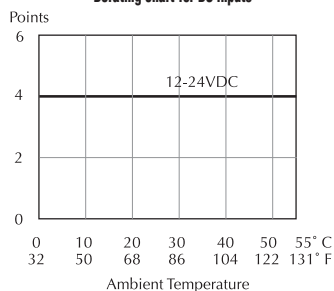
Equivalent input circuit



Equivalent output circuit



Derating chart for DC inputs



Derating chart for DC outputs

