

I/O Modules

H4-CTRIO high-speed counter module vs. D4-HSC high speed counter module

Select the H4-CTRIO instead of the D4-HSC if your application requires:

- More than one quadrature encoder
- More than one single up counter
- Pulse outputs
- Output operations on the module based on counts, without interaction with the CPU scan

The CTRIO is configured using a Windows-based “Wizard” utility, eliminating the need for ladder logic programming to configure the module. Multiple CTRIO modules can be used in a base to support additional input/output pulse trains.

Analog module selection tips

If you’re going to control the speed of an AC inverter or drive with the DL405 analog module, make sure you select either the current sourcing F4-04DAS-1 or voltage sourcing F4-04DAS-2 isolated analog output module. Complete module specifications are listed later in this section.

ZIPLink connection systems

ZIPLinks consist of PLC interface cables and connector modules that offer “plug and play” capability by plugging one end of the ZIPLink cable into an I/O module and the other end into the ZIPLink connector module. This eliminates the tedious process of wiring PLC I/O to terminal blocks. For more information, refer to the Terminal Blocks & Wiring Systems section of this catalog to determine compatibility among PLCs, cables and I/O modules.

Need spare parts?

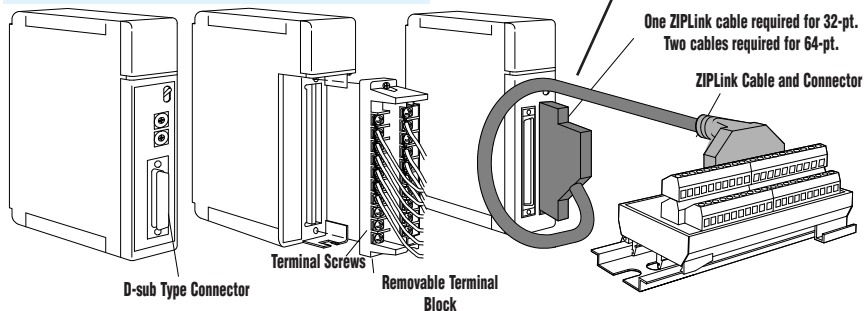
Sometimes it is helpful to have extra I/O module connectors or spare fuses. The DL405 spare parts and accessories are listed below:

D4-FUSE-2 (<--->)	Fuses for F4-08TRS-2
D4-ACC-1 (<--->)	CPU spare kit (covers and screws)
D4-ACC-2 (<--->)	Screws for 8-pt. I/O module terminals
D4-ACC-3 (<--->)	Screws for 16-pt. I/O module terminals
D4-FILL (<--->)	Filler module to cover empty I/O slots
D4-8IOCON (<--->)	8-pt. module terminal blocks
D4-16IOCON (<--->)	16-pt. module terminal blocks
D4-IOCVR (<--->)	Replacement terminal block covers
D4-IO3264R (<0.0)	32/64-pt. ribbon-style connectors
D4-IO3264S (<---.25)	32/64-pt. solder-style connectors

Now that you understand the factors affecting your choice of I/O modules, it’s time to choose the ones that best fulfill your needs. Review the module specifications later in this section. (See the DL405 Price List for a complete list of part numbers.) If you have any questions, give us a call. When you have selected the modules you need, proceed to the next section to choose an I/O configuration scheme that best suits your application.

ZIPLinks eliminate the tedious process of wiring the PLC I/O to terminal blocks. See the Terminal Blocks & Wiring Systems section for details.

ZIPLink connection system

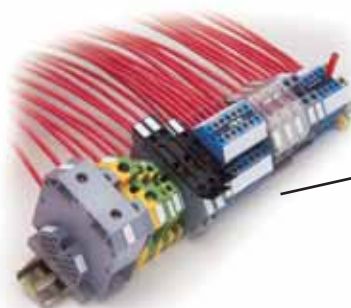


This logo is placed by each I/O module that supports ZIPLink connection systems. (The I/O modules are listed at the end of this section). See the Terminal Blocks & Wiring Systems section of this catalog for complete information on ZIPLinks.

DINnectors terminal blocks

DINnectors are DIN rail mounted connectors or terminal blocks. All DINnectors are UL, CSA, VDE, SEV, RINA and IEC approved. Refer to the Terminal Blocks & Wiring Systems section of this catalog for details.

DINnectors terminal blocks



DINnectors provide a means of connecting and identifying two or more wires within the demands of an industrial environment. See the Terminal Blocks & Wiring Systems section for details.