

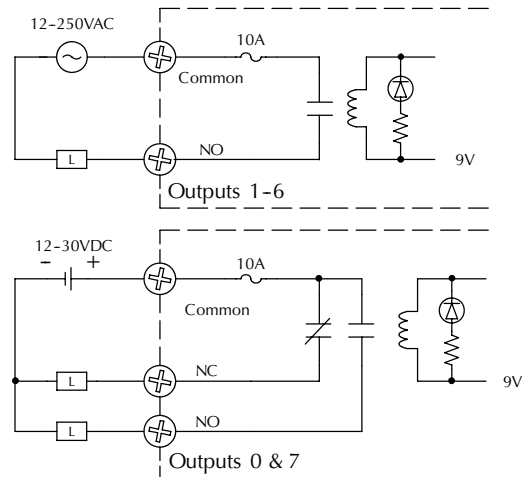
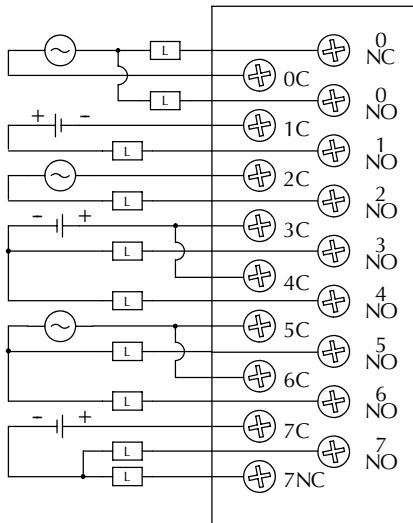
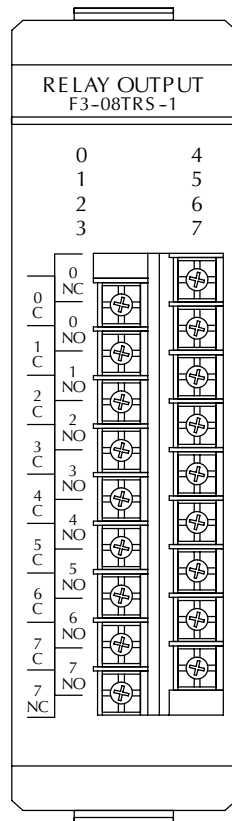
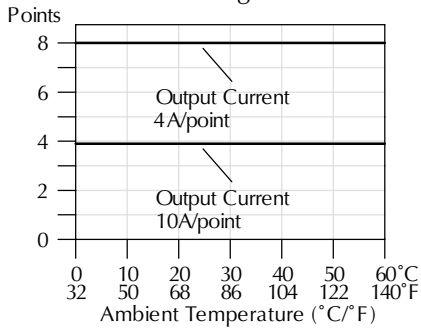
Relay Output Modules

F3-08TRS-1 Relay Output <--->	
Outputs per Module	8
Commons per Module	8 (isolated)
Operating Voltage*	12-125VAC 125-250VAC (requires external fuses) 12-30VDC
Output Type	6 Form A (SPST), 2 Form C (SPDT)
Max Current (resistive)	10A/point AC/DC, 32A/module AC/DC
Max leakage Current	N/A
Max Inrush Current	10A inductive
Minimum Load	100mA @ 12VDC
Base Power Required	9V 37mA/ON pt., (296mA max), 24V N/A
OFF to ON Response	13ms max
ON to OFF Response	9ms max
Terminal Type	Removable
Status Indicators	Logic side
Weight	8.9oz. (252 g)
Fuses	8 fuses (10A, 125V), Non-replaceable
Peak Voltage	265VAC/120VDC
AC Frequency	47-63Hz
ON Voltage Drop	N/A

Max. Resistive or Inductive Inrush Load Current	Operating Voltage		
	28VDC	120VAC	240VAC
1/4HP		2.5K	
10.0A	50K	50K	
5.0A	200K	100K	
3.0A	325K	125K	50K
.05A	> 50M		

*Maximum DC voltage rating is 120VDC at .5 Amp, 30,000 cycles typical.
Motor starters up to and including NEMA size 4 can be used with this module.

Derating Chart



- PLC Overview
- DL05/06 PLC
- DL105 PLC
- DL205 PLC
- DL305 PLC**
- DL405 PLC
- Field I/O
- Software
- C-more HMIs
- Other HMI
- AC Drives
- Motors
- Steppers/Servos
- Motor Controls
- Proximity Sensors
- Photo Sensors
- Limit Switches
- Encoders
- Pushbuttons/Lights
- Process
- Relays/Timers
- Comm.
- TB's & Wiring
- Power
- Enclosures
- Appendix
- Part Index