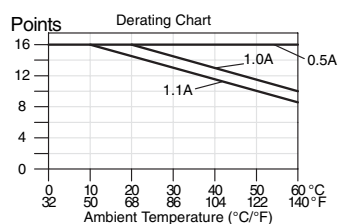


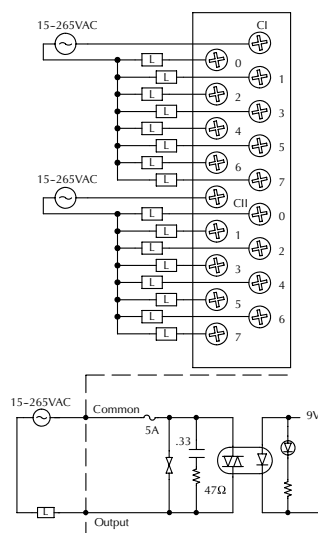
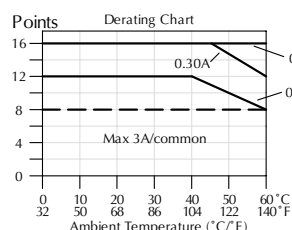
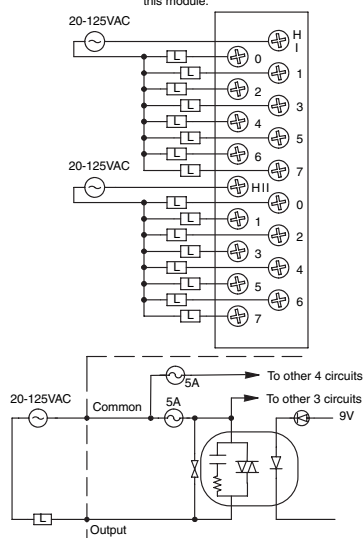
# AC Output Modules

F3-16TA-2 AC Output <---->	
<b>Outputs per Module</b>	16
<b>Commons per Module</b>	2 (isolated)
<b>Operating Voltage</b>	20-125VAC
<b>Output Type</b>	SSR Array (TRIAC)
<b>Peak Voltage</b>	140VAC
<b>AC Frequency</b>	47-63Hz
<b>ON Voltage Drop</b>	1.1VAC @ 1.1A
<b>Max. Current</b>	1.1A/point
<b>Max Leakage Current</b>	0.7mA @ 125VAC
<b>Max Inrush Current*</b>	15A for 20ms 8A for 100ms
<b>Minimum Load</b>	50mA
<b>Base Power Required</b>	9V 14mA / ON pt. 250mA Max. 24V N/A
<b>OFF to ON Response</b>	8ms max
<b>ON to OFF Response</b>	8ms max
<b>Terminal Type</b>	Removable
<b>Status Indicators</b>	Logic side
<b>Weight</b>	7.7oz. (218g)
<b>Fuses (One spare fuse included)</b>	4 (One 5A 125V fast blow per each group of four outputs) Order D3-FUSE-4 (5 per pack) <---->

D3-16TA-2 AC Output <---->	
<b>Outputs per Module</b>	16
<b>Commons per Module</b>	2 (isolated)
<b>Operating Voltage</b>	15-265VAC
<b>Output Type</b>	Triac
<b>Peak Voltage</b>	265VAC
<b>AC Frequency</b>	47-63Hz
<b>ON Voltage Drop</b>	1.5VAC @ 0.5A
<b>Max. Current</b>	0.5A/point 3A/common 6A/per module
<b>Max Leakage Current</b>	4 mA @ 265VAC
<b>Max Inrush Current</b>	10A for 10ms 5A for 100ms
<b>Minimum Load</b>	10 mA @ 15VAC
<b>Base Power Required*</b>	9V 25mA max/ON pt. 400mA max 24V N/A
<b>OFF to ON Response</b>	1ms max
<b>ON to OFF Response</b>	9ms max
<b>Terminal Type</b>	Removable
<b>Status Indicators</b>	Logic side
<b>Weight</b>	7.2oz (210g)
<b>Fuses</b>	2 (One 5A per common) non-replaceable



\*Fuse blows at 20 Amp surge  
Motor starters up to and including  
a NEMA size 3 can be used with  
this module.



See the Terminal Blocks & Wiring section in this catalog for part numbers of **ZIPLinks** cables and terminal blocks compatible with this module.