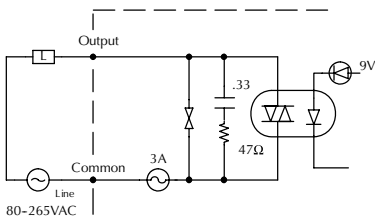
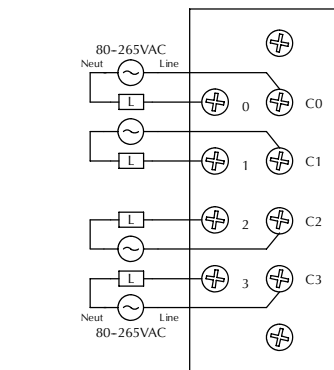
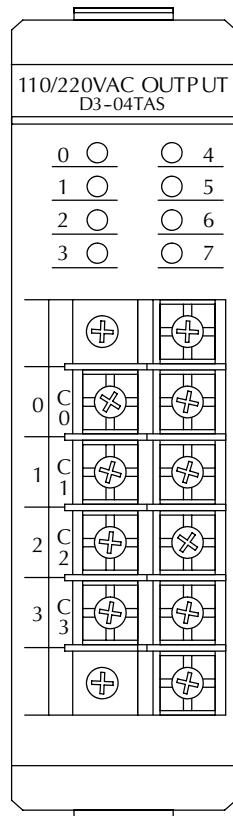
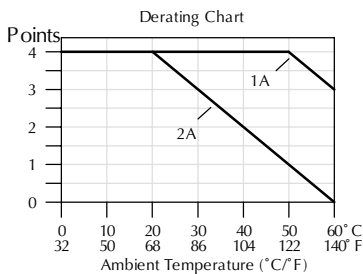


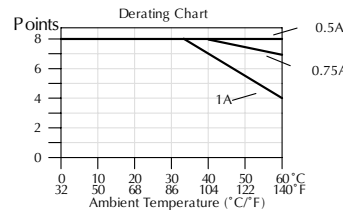
# AC Output Modules

D3-04TAS AC Output <--->	
<b>Outputs per Module</b>	4
<b>Commons per Module</b>	4 (isolated)
<b>Operating Voltage</b>	80-265VAC
<b>Output Type</b>	Triac
<b>Peak Voltage</b>	265VAC
<b>AC Frequency</b>	47-63Hz
<b>ON Voltage Drop</b>	1.5VAC @ 2A
<b>Max. Current</b>	2A/point 2A/common
<b>Max Leakage Current</b>	7mA @ 220VAC 3.5mA @ 110VAC
<b>Max Inrush Current</b>	20A for 16ms 10A for 100ms
<b>Minimum Load</b>	10mA
<b>Base Power Required</b>	9V 12mA max 24V N/A
<b>OFF to ON Response</b>	1ms max
<b>ON to OFF Response</b>	10ms max
<b>Terminal Type</b>	Non-removable
<b>Status Indicators</b>	Logic side
<b>Weight</b>	6.4oz. (180g)
<b>Fuses</b>	4 (1 per common) 3A Order D3-FUSE-2 (5 per pack) <--->

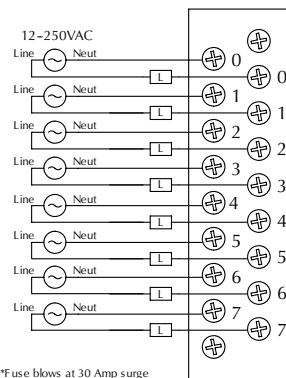
F3-08TAS AC Output <--->	
<b>Outputs per Module</b>	8 (500V point to point isolation)
<b>Commons per Module</b>	8 (isolated)
<b>Operating Voltage</b>	12-125VAC 125-250VAC (requires external fuses)
<b>Output Type</b>	SSR array (Triac)
<b>Peak Voltage</b>	400VAC
<b>AC Frequency</b>	47-440Hz
<b>ON Voltage Drop</b>	1VAC @ 1A
<b>Maximum Current</b>	1A/point
<b>Maximum Leakage Current</b>	10µ @ 240VAC
<b>Max Inrush Current*</b>	20A for 16ms 3A for 100ms
<b>Minimum Load</b>	0.5mA
<b>Base Power Required</b>	9V, 10mA/ON pt. (80mA max) 24V N/A
<b>OFF to ON Response</b>	8ms max
<b>ON to OFF Response</b>	8ms max
<b>Terminal Type</b>	Removable
<b>Status Indicators</b>	Logic side
<b>Weight</b>	6.3oz. (179g)
<b>Fuses</b>	8 (1 per common) 5A, 125V fast blow Order D3-FUSE-4 (5 per pack) <--->



See the Terminal Blocks & Wiring section in this catalog for part numbers of ZIPLinks cables and terminal blocks compatible with this module.



Motor starters up to and including a NE MA size 3 can be used with this module.



\*Fuse blows at 30 Amp surge

