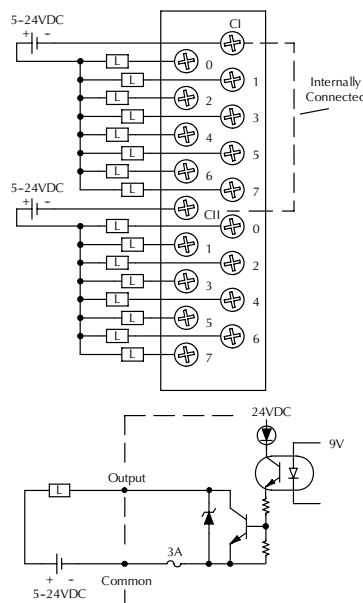
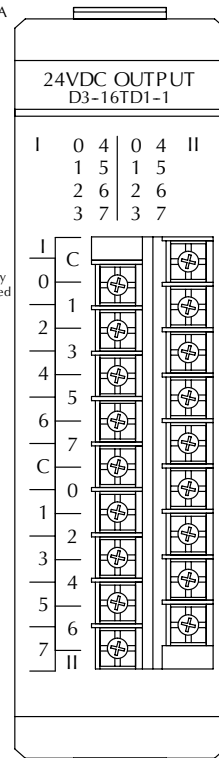
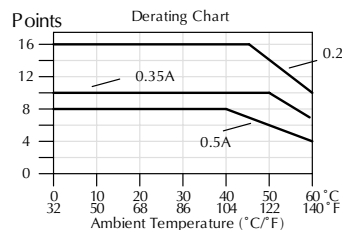
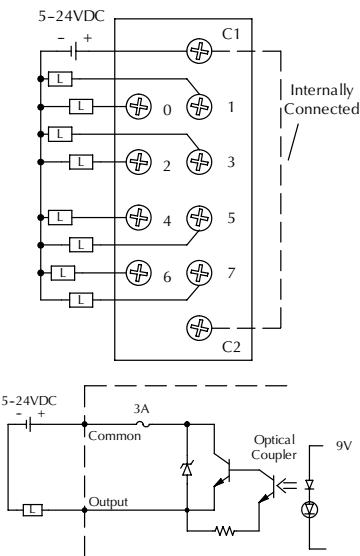
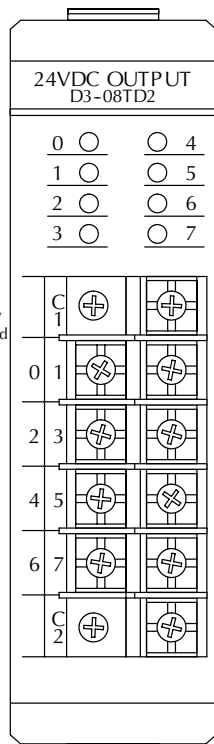
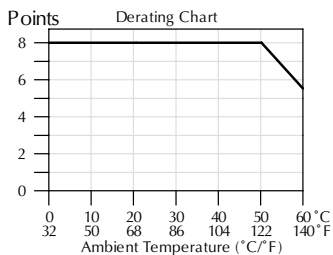


DC Output Modules

D3-08TD2 DC Output <-->	
Outputs per Module	8 (current sourcing)
Commons per Module	2 (internally connected)
Operating Voltage	5-24VDC
Output Type	NPN transistor (emitter follower)
Peak Voltage	40VDC
AC Frequency	N/A
ON Voltage Drop	1V @ 0.5A
Max. Current	0.5A/point 1.8A/common
Max Leakage Current	0.1mA @ 24VDC
Max Inrush Current	3A/20ms 1A/100ms
Minimum Load	1mA
Base Power Required	9V 30mA max 24V N/A
OFF to ON Response	0.1ms
ON to OFF Response	0.1ms
Terminal Type	Non-removable
Status Indicators	Logic side
Weight	4.2oz. (120 g)
Fuses	2 (one 3A per common) non-replaceable

D3-16TD1-1 DC Output <-->	
Outputs per Module	16 (current sinking)
Commons per Module	2 (internally connected)
Operating Voltage	5-24VDC
Output Type	NPN transistor (open collector)
Peak Voltage	45VDC
AC Frequency	N/A
ON Voltage Drop	2V @ 0.5A
Max. Current	0.5A/point 2A/common
Max Leakage Current	0.1mA @ 40VDC
Max Inrush Current	3A/20ms 1A/100ms
Minimum Load	1mA
Base Power Required	9V (40mA max) 3mA+2.3mA/ON pt. 24V 6mA/ON pt. (96mA max)
OFF to ON Response	0.1ms
ON to OFF Response	0.1ms
Terminal Type	Removable
Status Indicator	Logic side
Weight	5.6oz. (160g)
Fuses	2 (one 3A per common) non-replaceable



See the Terminal Blocks & Wiring section in this catalog for part numbers of ZIPLinks cables and terminal blocks compatible with this module.