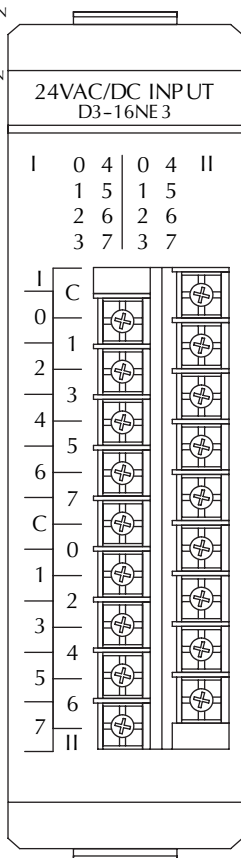
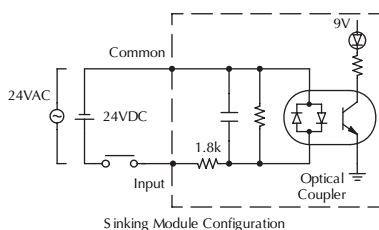
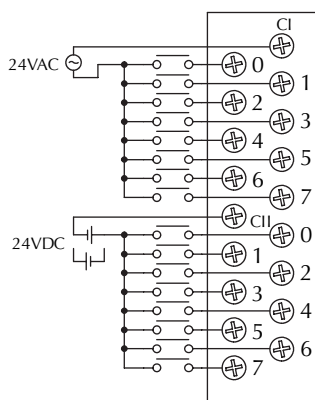
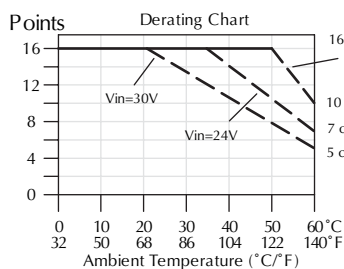


AC/DC Input Modules

D3-16NE3 AC/DC Input <---->	
Inputs per Module	16 (sink/source)
Commons per Module	2 (isolated)
Input Voltage Range	14-30VAC/VDC
Input Voltage	External
Peak Voltage	30VAC/VDC
AC Frequency	47-63Hz
ON Voltage Level	>14V
OFF Voltage Level	<3V
Input Impedance	1.8Kohm
Input Current	16mA Max
Minimum ON Current	7mA
Maximum OFF Current	2mA
Base Power Required	9V 2.5mA+4.5mA/ON pt. (130mA max) 24V N/A
OFF to ON Response	AC 5-30ms DC 5-25 ms
ON to OFF Response	AC 5-30ms DC 5-25 ms
Terminal Type	Removable
Status Indicators	Logic side
Weight	6oz. (170g)



See the Terminal Blocks & Wiring section in this catalog for part numbers of ZIPLinks cables and terminal blocks compatible with this module.

PLC Overview

DL05/06 PLC

DL105 PLC

DL205 PLC

DL305 PLC

DL405 PLC

Field I/O

Software

C-more HMIs

Other HMI

AC Drives

Motors

Steppers/ Servos

Motor Controls

Proximity Sensors

Photo Sensors

Limit Switches

Encoders

Pushbuttons/ Lights

Process

Relays/ Timers

Comm.

TB's & Wiring

Power

Enclosures

Appendix

Part Index