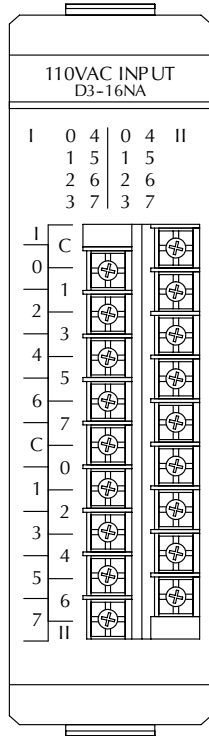
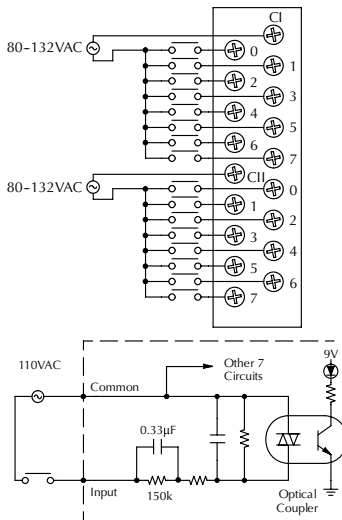
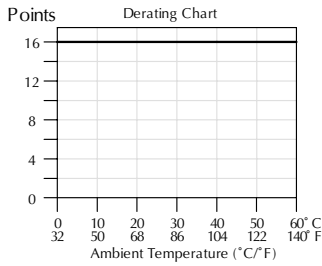


AC Input and AC/DC Input Modules

D3-16NA AC Input <---->	
Inputs per Module	16
Commons per Module	2 (isolated)
Input Voltage Range	80-132VAC
Input Voltage Supply	External
Peak Voltage	132VAC
AC Frequency	50-60Hz
ON Voltage Level	>80 VAC
OFF Voltage Level	<15 VAC
Input Impedance	8 K ohm
Input Current	16mA @ 60Hz 24mA @ 60 Hz
Minimum ON Current	8mA
Maximum OFF Current	1.5mA
Base Power Required*	9V 6.25mA max/ON pt 100 mA max
OFF to ON Response	5-50ms
ON to OFF Response	5-60ms
Terminal Types	Removable
Status Indicators	Logic side
Weight	6.4oz. (189g)

*9V typical values are 4mA/ON pt., 64mA total

See the Terminal Blocks & Wiring section in this catalog for part numbers of ZIPLinks cables and terminal blocks compatible with this module.



D3-08NE3 AC/DC Input <---->	
Inputs per Module	8 (sink/source)
Commons per Module	2 (isolated)
Input Voltage Range	20-28VAC/VDC
Input Voltage	External
Peak Voltage	28VAC/VDC
AC Frequency	47-63Hz
ON Voltage Level	>20V
OFF Voltage Level	<6V
Input Impedance	1.5Kohm
Input Current	19mA max
Minimum ON Current	10mA
Maximum OFF Current	2mA
Base Power Required	9V 10mA max 24V N/A
OFF to ON Response	AC: 5-50ms DC: 6-30ms
ON to OFF Response	AC/DC: 5-60ms
Terminal Type	Non-removable
Status Indicators	Field side
Weight	4.2oz. (120g)

