

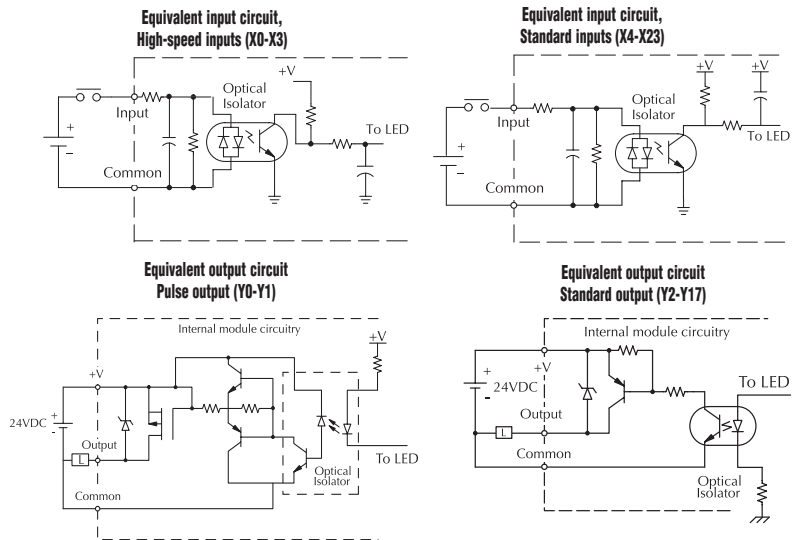
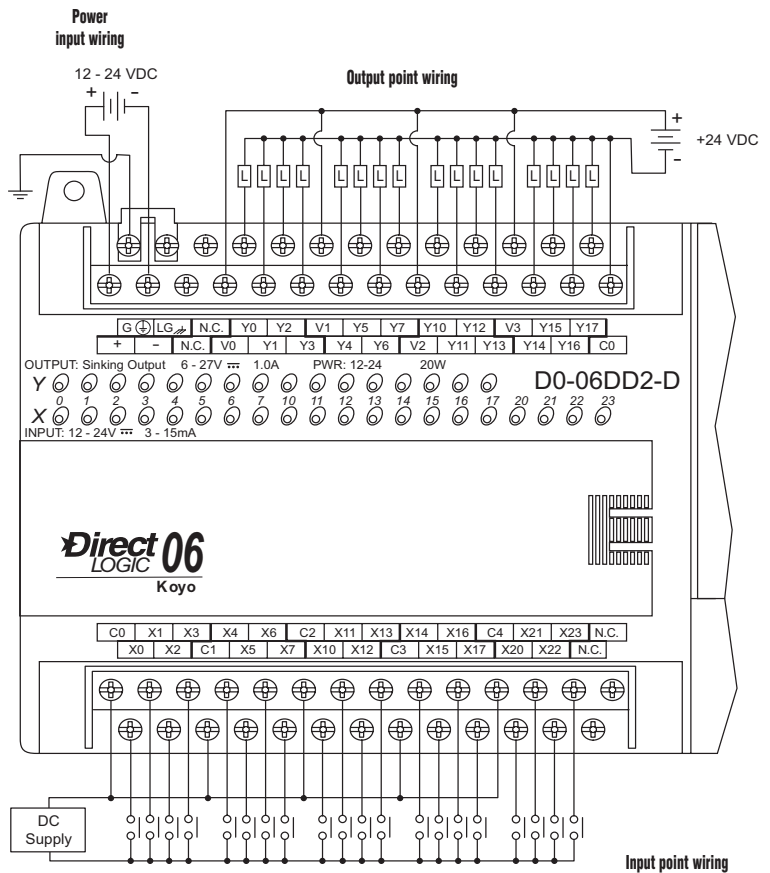
# DL06 I/O Specifications

D0-06DD2-D <--->

## Wiring diagram and specifications

D0-06DD2-D Specifications			
<b>DC Power Supply Specifications</b>	<b>Voltage Range</b>	12-24VDC (15W)	
	<b>Number of Input Pts.</b>	20 (sink/source)	
	<b>Number of Commons</b>	5 (isolated)	
	<b>Input Voltage Range</b>	12-24VDC	
	<b>Input Impedance</b>	(X0-X3)	1.8K @ 12-24VDC
		(X4-X23)	2.8K @ 12-24VDC
	<b>On Current/Voltage Level</b>	5mA/>10VDC	
	<b>OFF Current/Voltage Level</b>	0.5mA/<2VDC	
	<b>Response Time</b>	X0-X3	X4-X23
	<b>OFF to ON Response</b>	<70µS	2-8mS Typ. 4mS
	<b>ON to OFF Response</b>	<70µS	2-8mS Typ. 4mS
	<b>Fuses</b>	None	
<b>DC Input Specifications</b>	<b>Number of Output Points</b>	16 (sourcing)	
	<b>Number of Commons</b>	4 isolated	
	<b>Output Voltage Range</b>	10.8-26.4VDC	
	<b>Peak Voltage</b>	30VDC	
	<b>Max. Frequency (Y0, Y1)</b>	10kHz	
	<b>ON Voltage Drop</b>	0.5VDC @ 1A (Y0-Y1)	1.2VDC @ 1A (Y2-Y17)
	<b>Maximum Current</b>	0.5A / point (Y0-Y1)*	1.0A / point (Y2-Y17)
	<b>Maximum Leakage Current</b>	15µ @ 30VDC	
	<b>Maximum Inrush Current</b>	2A for 100ms	
	<b>OFF to ON Response</b>	<10µS	
	<b>ON to OFF Response</b>	<20µS (Y0-Y1) <0.50mS (Y2-Y17)	
	<b>External DC Power Required</b>	N/A	
	<b>Status Indicators</b>	Logic side	
	<b>Fuses</b>	None (external recommended)	

\*When Y0-Y1 are not used for pulse outputs, maximum current output is 1.0A.



Derating chart for DC outputs

