

DL06 I/O Specifications

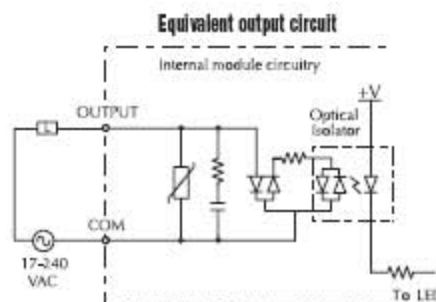
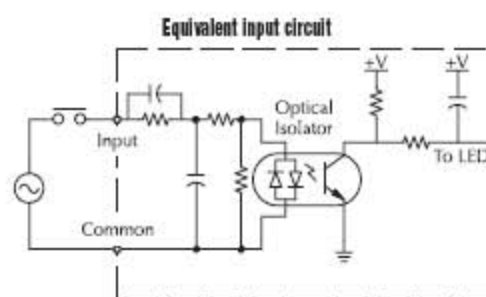
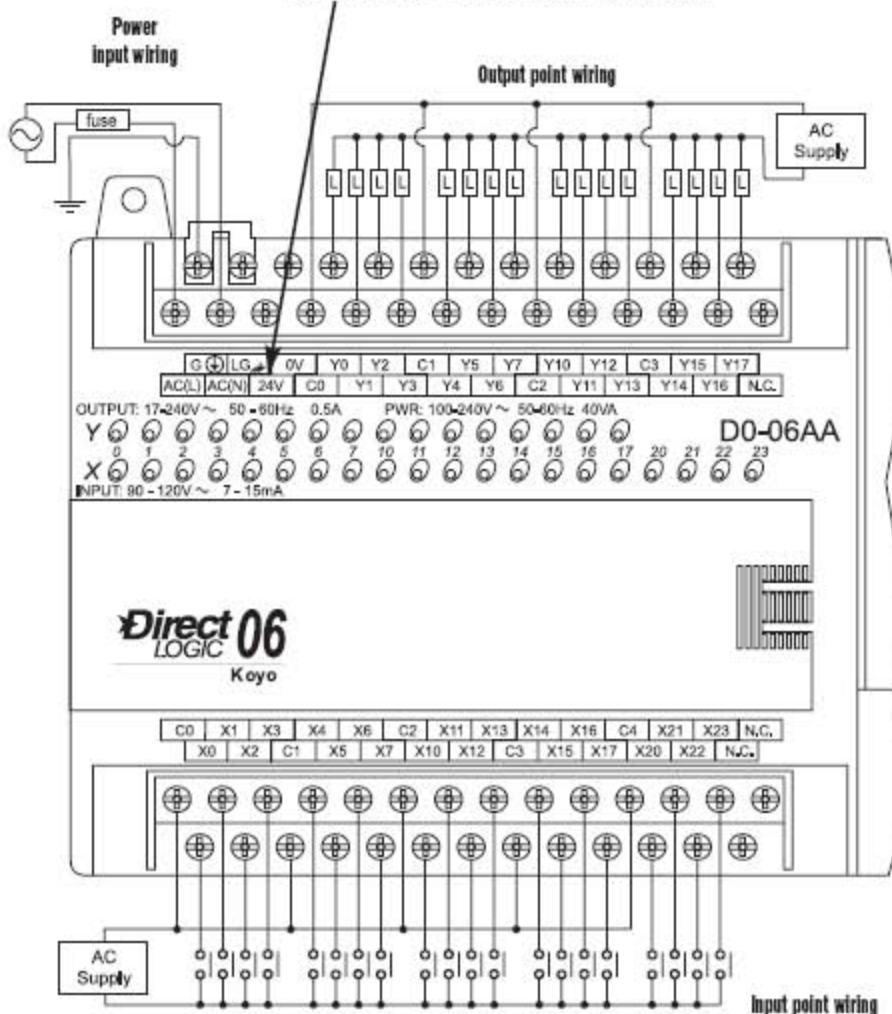
D0-06AA



Wiring diagram and specifications

D0-06AA Specifications		
AC Power Supply Specifications	Voltage Range	95-240VAC (30VA)
	Number of Input Pts.	20
AC Input Specifications	Number of Commons	5 (isolated)
	Input Voltage Range	90-120VAC
	Frequency Range	47-63Hz
	Input Current	8mA @ 100 VAC at 50 Hz 10mA @ 100 VAC at 60Hz
	On Current/Voltage Level	>6mA/75VAC
	OFF Current/Voltage Level	<2mA/20VAC
	OFF to ON Response	<40ms
	ON to OFF Response	<40ms
	Fuses	None
	AC Output Specifications	Number of Output Points
Number of Commons		4 (isolated)
Output Voltage Range		17-240VAC 47-63Hz
Peak Voltage		264VAC
ON Voltage Drop		1.5 VAC >50mA 4.0VAC <50mA
Maximum Current		0.5A/pt 2.0A/common
Maximum Leakage Current		4mA at 264VAC
Maximum Inrush Current		10A for 10ms
Minimum Load		10mA
OFF to ON Response		<1ms
ON to OFF Response		<1ms + 1/2 cycle
Fuses		None (external recommended)

Note: Refer to page 2-29, Power Budgeting, for Auxillary 24VDC current available.



Derating chart for AC outputs

