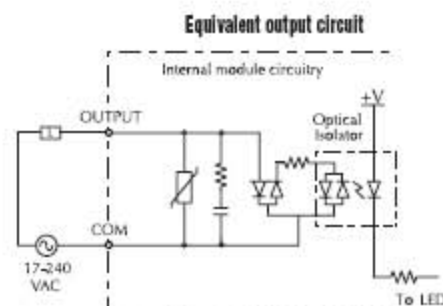
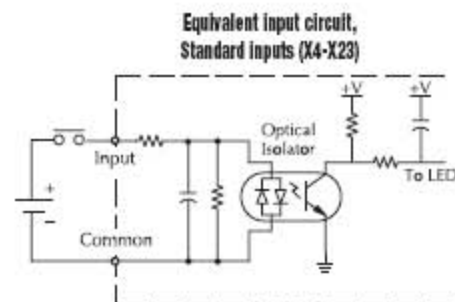
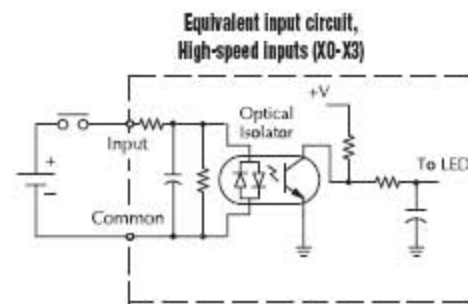
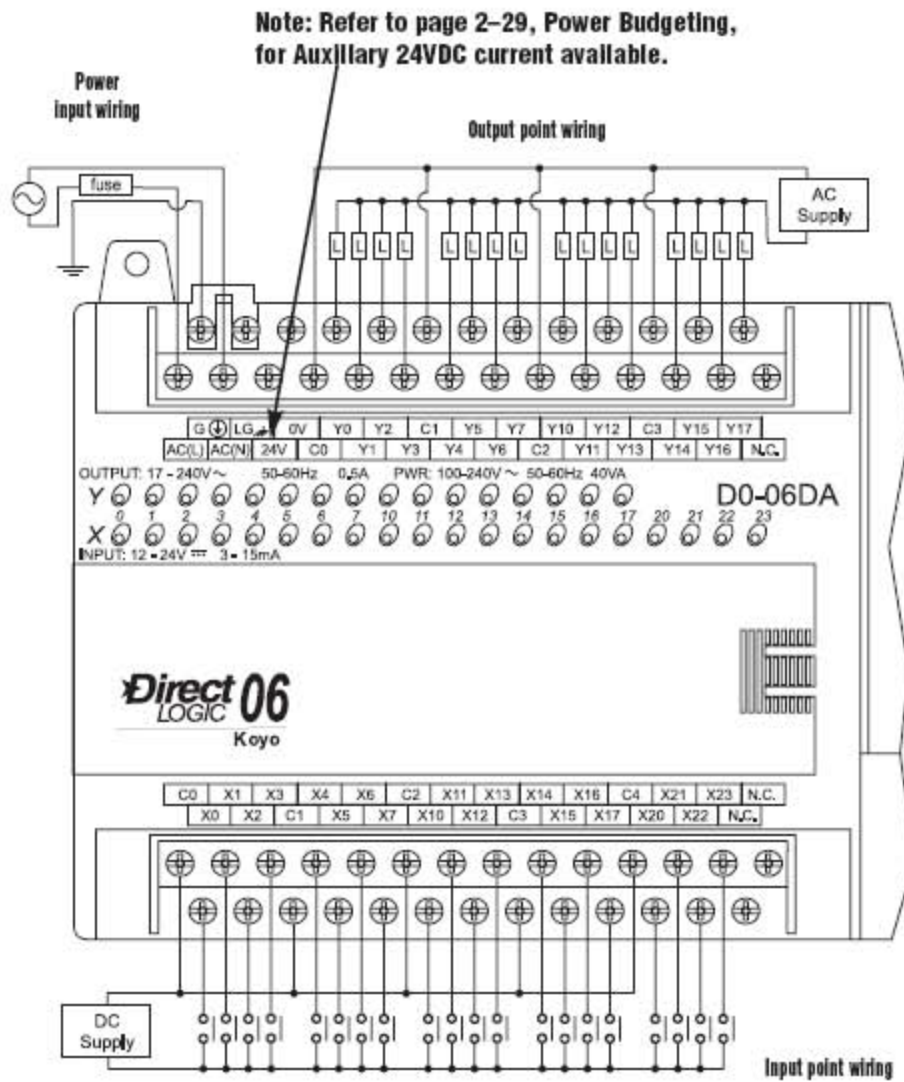


DL06 I/O Specifications

D0-06DA <--->

Wiring diagram and specifications

D0-06DA Specifications			
AC Power Supply Specifications	Voltage Range	100-240VAC (40VA)	
	Number of Input Pts.	20 (sink/source)	
	Number of Commons	5 (isolated)	
	Input Voltage Range	10.8-26.4VDC	
	Input Impedance	(X0-X3) 1.8K @ 12-24VDC (X4-X23) 2.8K @ 12-24VDC	
	On Current/Voltage Level	>5mA/10VDC	
	OFF Current/Voltage Level	<0.5mA/<2VDC	
	Response Time	X0-X3 X4-X23	
	OFF to ON Response	<70µs 2-8ms	
	ON to OFF Response	<70µs 2-8ms	
Fuses	None		
DC Input Specifications	Number of Output Points	16	
	Number of Commons	4 (isolated)	
	Operating Voltage Range	17-240VAC 47-63Hz	
	Peak Voltage	264VAC	
	ON Voltage Drop	1.5VAC >50mA 4.0VAC <50mA	
	Maximum Current	0.5A / point; 1.5A / common	
	Maximum Leakage Current	4mA @ 264VAC, 60 Hz	
	Maximum Inrush Current	10A for 10ms	
	Minimum Load	10mA	
	OFF to ON Response	1ms	
	ON to OFF Response	1ms + 1/2 cycle	
	Fuses	None (external recommended)	
	AC Output Specifications	Number of Output Points	16
Number of Commons		4 (isolated)	
Operating Voltage Range		17-240VAC 47-63Hz	
Peak Voltage		264VAC	
ON Voltage Drop		1.5VAC >50mA 4.0VAC <50mA	
Maximum Current		0.5A / point; 1.5A / common	
Maximum Leakage Current		4mA @ 264VAC, 60 Hz	
Maximum Inrush Current		10A for 10ms	
Minimum Load		10mA	
OFF to ON Response		1ms	
ON to OFF Response		1ms + 1/2 cycle	
Fuses		None (external recommended)	



Derating chart for AC outputs

