

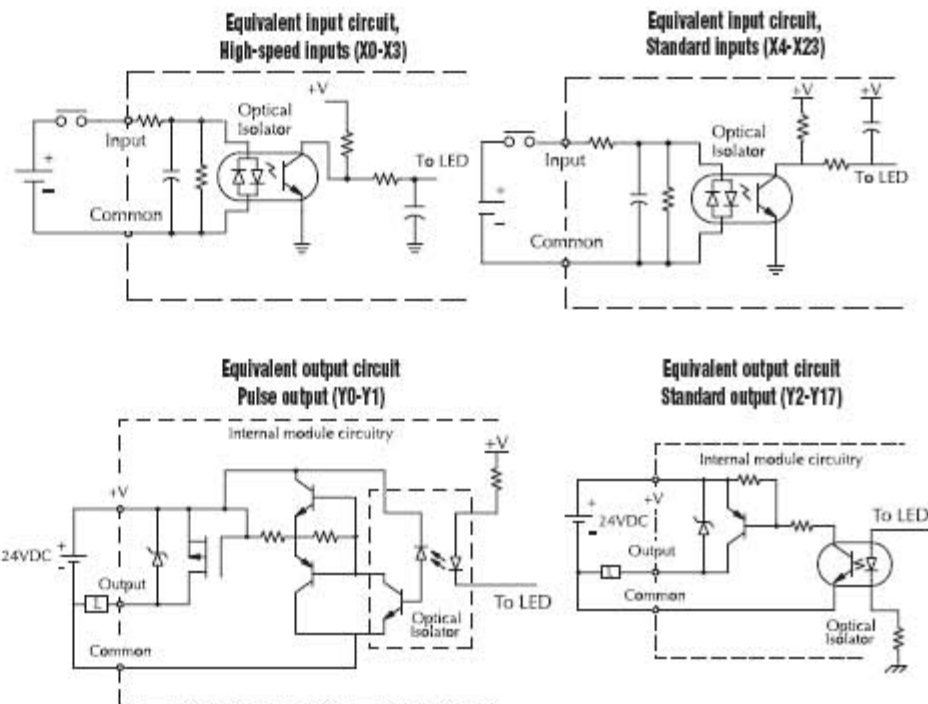
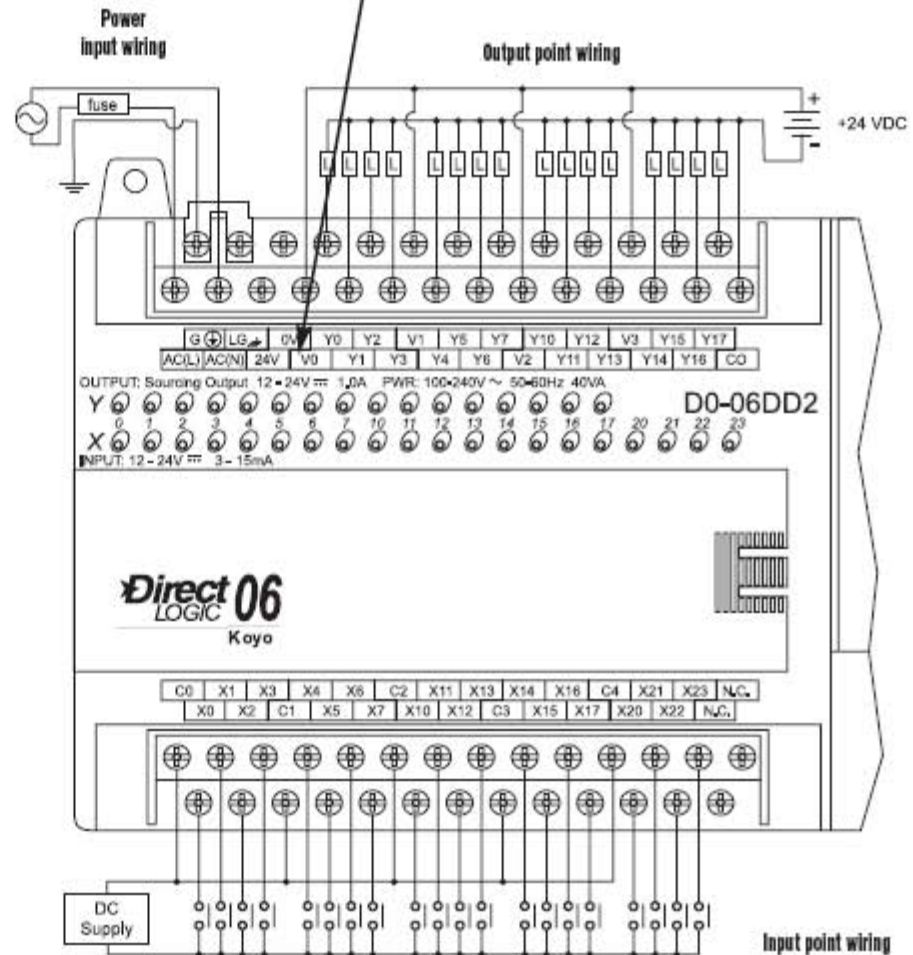
DL06 I/O Specifications

D0-06DD2 <--->

Wiring diagram and specifications

D0-06DD2 Specifications		
AC Power Supply Specifications	Voltage Range	95-240VAC (30VA)
	Number of Input Pts.	20 (sink/source)
DC Input Specifications	Number of Commons	5 (isolated)
	Input Voltage Range	12-24VDC
	Input Impedance	(X0-X3) 1.8K @ 12-24VDC (X4-X23) 2.8K @ 12-24VDC
	On Current/Voltage Level	>5mA/10VDC
	OFF Current/Voltage Level	<0.5mA/<2VDC
	Response Time	X0-X3 X4-X23
	OFF to ON Response	<100µs <8ms
	ON to OFF Response	<100µs <8ms
	Fuses	None
	DC Output Specifications	Number of Output Points
Number of Commons		4 isolated
Output Voltage Range		12-24VDC
Peak Voltage		30VDC
Max. Frequency (Y0, Y1)		7kHz
ON Voltage Drop		0.3VDC @ 1A
Maximum Current		0.5A / pt (Y0-Y1)* 1.0A pt (Y2-Y17)
Maximum Leakage Current		15µA @ 30VDC
Maximum Inrush Current		2A for 100ms
OFF to ON Response		<10µs
ON to OFF Response		<20µs (Y0-Y1) <0.5ms (Y2-Y17)
External DC Power Required		20-28VDC 150mA max.
Status Indicators		Logic side
Fuses		None (external recommended)

Note: Refer to page 2-29, Power Budgeting, for Auxillary 24VDC current available.



*When Y0-Y1 are not used for pulse outputs, maximum current output is 1.0A.

