

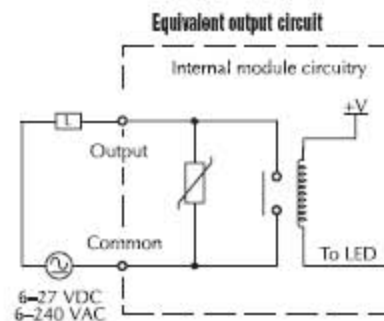
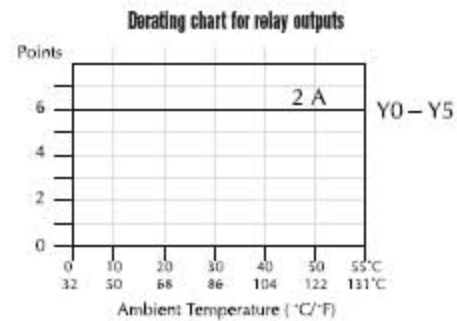
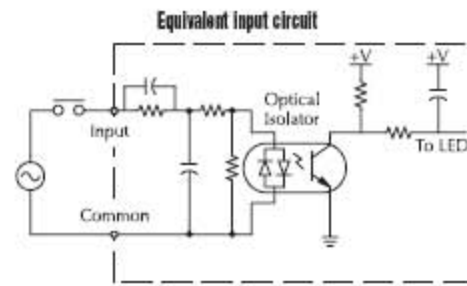
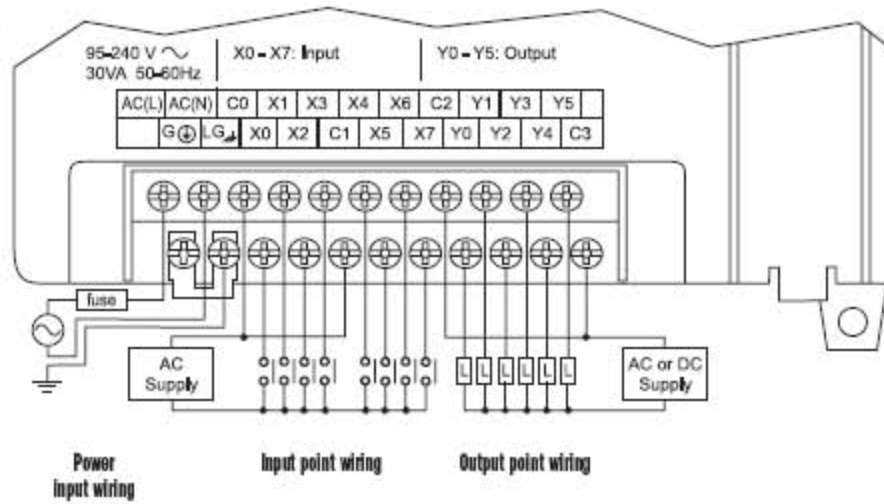
# DL05 I/O Specifications

D0-05AR



Wiring diagram and specifications

D0-05AR Specifications		
<b>AC Power Supply Specifications</b>	<b>Voltage Range</b>	95-240VAC (30VA)
<b>AC Input Specifications</b>	<b>Number of Input Pts.</b>	8
	<b>Number of Commons</b>	2 (isolated)
	<b>Input Voltage Range</b>	90-120VAC
	<b>Frequency Range</b>	47-63Hz
	<b>Input Current</b>	8mA @ 100 VAC at 50 Hz 10mA @ 100 VAC at 60Hz
	<b>On Current/ Voltage Level</b>	>6mA/75VAC
	<b>OFF Current/ Voltage Level</b>	<2mA/20VAC
	<b>OFF to ON Response</b>	<40ms
	<b>ON to OFF Response</b>	<40ms
<b>Fuses</b>	None	
<b>Relay Output Specifications</b>	<b>Number of Output Points</b>	6
	<b>Number of Commons</b>	2 (isolated)
	<b>Output Voltage Range</b>	6-240VAC, 47-63Hz 6-27VDC
	<b>Maximum Voltage</b>	264VAC, 30VDC
	<b>Maximum Current</b>	2A/point 6A/common
	<b>Maximum Leakage Current</b>	0.1mA @ 246VAC
	<b>Smallest Recommended Load</b>	5mA @ 5VDC
	<b>OFF to ON Response</b>	<15ms
	<b>ON to OFF Response</b>	<10ms
	<b>Status Indicators</b>	Logic side
	<b>Fuses</b>	None (external recommended)



## Typical Relay Life (Operations) at Room Temperature

Voltage and Type of Load	Load Current	
	1A	2A
24 VDC Resistive	600K	270K
24 VDC Solenoid	150K	60K
110 VAC Resistive	900K	350K
110 VAC Solenoid	350K	150K
220 VAC Resistive	600K	250K
220 VAC Solenoid	200K	100K