

DL05 I/O Specifications

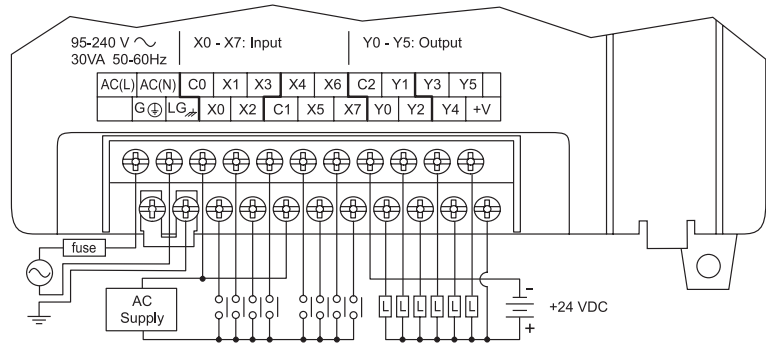
D0-05AD



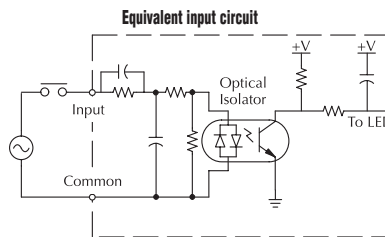
Wiring diagram and specifications

D0-05AD Specifications		
AC Power Supply Specifications	Voltage Range	95-240VAC (30VA)
	Number of Input Pts.	8
	Number of Commons	2 (isolated)
	Input Voltage Range	90-120VAC
	Frequency Range	47-63Hz
	Input Current	8mA @ 100 VAC at 50 Hz 10mA @ 100 VAC at 60Hz
	On Current/Voltage Level	>6mA/75VAC
	OFF Current/Voltage Level	<2mA/20VAC
	OFF to ON Response	<40ms
	ON to OFF Response	<40ms
Fuses	None	
DC Output Specifications	Number of Output Points	6 (sinking)
	Number of Commons	1
	Output Voltage Range	6-27VDC
	Peak Voltage	50VDC
	Max. Frequency (Y0, Y1)	7kHz
	ON Voltage Drop	0.5VDC @ 1A
	Maximum Current	0.5A/pt (Y0-Y1)* 1.0A pt (Y2-Y5)
	Maximum Leakage Current	15µA @ 30VDC
	Maximum Inrush Current	2A for 100ms
	OFF to ON Response	<10µs
	ON to OFF Response	<30µs (Y0-Y1) <60µs (Y2-Y5)
	External DC Power Required	20-28VDC 150mA max
	Status Indicators	Logic side
	Fuses	None (external recommended)

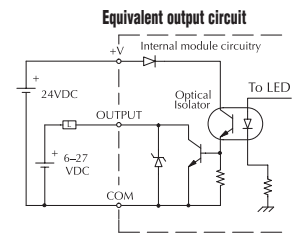
**When output points Y0 and Y1 are not used in pulse mode, the maximum output current is 1.0A*



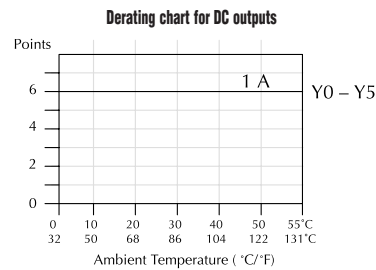
Power input wiring Input point wiring Output point wiring



Equivalent input circuit



Equivalent output circuit



Derating chart for DC outputs